



- Resistant Ex i terminal boxes made from stainless steel, degree of protection IP66, external earth connection M8
- Version as screw-on cover or hinge cover with sash locks
- Equipped as required

WebCode 8150H



R. STAHL Series 8150 Ex i terminal boxes are made of brushed stainless steel (1.4301, AISI 304 or 1.4404, AISI 316L) and are particularly resistant. The optimised design and the circumferential protection channel on the cover opening and the silicone seal suitable for the most extreme temperature ranges make the enclosure usable worldwide. Various optional accessories are available.

| | IECEX / ATEX | | | | | |
|-----------------|--------------|---|---|----|----|----|
| Zone | 0 | 1 | 2 | 20 | 21 | 22 |
| Installation in | | • | • | | • | • |

| Selection Table | | | | | | | |
|---------------------|---------------------------|---|---|------------------|---|----------|-----------|
| Product Description | | Ex i terminal box | | | | | |
| Enclosure material | | 1.4301 stainless steel, (AISI 304), brush finished | | | | | |
| Figure | Product Type | Dimensions (WxHxD) | Type of terminals 1 | Terminal rail | Max. no. of terminals 2.5 mm ² | Art. No. | Weight kg |
| | 8150/2-0400-0300-150-2311 | 400 x 300 x 150 mm | 1 x WAGO 2002 2-conductor, 2.5 mm ² , blue | 35 x 358 mm (1x) | 63 | 212795 | 7.235 |
| | 8150/2-0300-0200-150-2311 | 300 x 200 x 150 mm | 1 x WAGO 2002 2-conductor, 2.5 mm ² , blue | 35 x 258 mm (1x) | 43 | 212783 | 4.282 |
| | 8150/2-0236-0176-091-2311 | 236.5 x 176.5 x 91 mm | 1 x WAGO 2002 2-conductor, 2.5 mm ² , blue | 35 x 189 mm (1x) | 27 | 212779 | 3.091 |
| | 8150/2-0176-0176-091-2311 | 176.5 x 176.5 x 91 mm | 1 x WAGO 2002 2-conductor, 2.5 mm ² , blue | 35 x 133 mm (1x) | 19 | 212775 | 2.540 |
| | 8150/2-0176-0116-091-2311 | 176.5 x 116 x 91 mm | 1 x WAGO 2002 2-conductor, 2.5 mm ² , blue | 35 x 133 mm (1x) | 19 | 212771 | 2.250 |
| Product Description | | Ex i terminal box | | | | | |
| Enclosure material | | 1.4404 stainless steel, (AISI 316L), brush finished | | | | | |
| Figure | Product Type | Dimensions (WxHxD) | Type of terminals 1 | Terminal rail | Max. no. of terminals 2.5 mm ² | Art. No. | Weight kg |
| | 8150/2-0400-0300-150-3311 | 400 x 300 x 150 mm | - | 35 x 358 mm (1x) | - | 203249 | - |
| | 8150/2-0360-0360-150-3311 | 360 x 360 x 150 mm | - | 35 x 301 mm (1x) | - | 203243 | 7.687 |

Selection Table

| Product Description | | Ex i terminal box 1.4404 stainless steel, (AISI 316L), brush finished | | | | | |
|---------------------|---------------------------|--|--|------------------|--|----------|--------------|
| Enclosure material | | | | | | | |
| Figure | Product Type | Dimensions (WxHxD) | Type of terminals 1 | Terminal rail | Max. no. of terminals 2.5 mm ² | Art. No. | Weight kg |
| | 8150/2-0300-0200-150-3311 | 300 x 200 x 150 mm | - | 35 x 258 mm (1x) | - | 203179 | 4.245 |
| | 8150/2-0236-0176-091-3311 | 236.5 x 176.5 x 91 mm | 1 x WAGO 2004 2-conductor, 4 mm ² , blue | 35 x 189 mm (1x) | - | 212780 | 3.091 |
| | | 236.5 x 176.5 x 91 mm | - | 35 x 189 mm (1x) | - | 203222 | 10.898 |
| | 8150/2-0176-0176-091-3311 | 176.5 x 176.5 x 91 mm | - | 35 x 133 mm (1x) | - | 203183 | 2.862 |
| | 8150/2-0176-0116-091-3311 | 176.5 x 116 x 91 mm | 1 x WAGO 2002 2-conductor, 2.5 mm ² , blue | 35 x 133 mm (1x) | 19 | 212772 | 2.250 |
| | | 176.5 x 116 x 91 mm | - | 35 x 133 mm (1x) | - | 203181 | 9.285 |


The enclosures are equipped with mounting rails and 1 terminal block of the specified type. Hinges can be ordered as accessories.

Technical Data

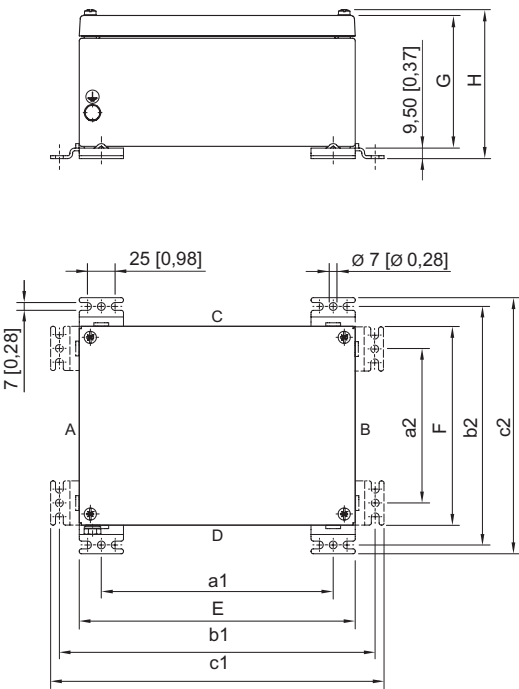
| | |
|-------------------------------------|---|
| Explosion Protection | |
| IECEX gas explosion protection | Ex ia ib IIC T6 Gb |
| IECEX dust explosion protection | Ex tb IIIC T80 °C Db |
| ATEX gas explosion protection | ⊕ II 2 G Ex ia ib IIC T6 Gb |
| ATEX dust explosion protection | ⊕ II 2 D Ex tb IIIC T80 °C Db |
| EAC gas explosion protection | Ⓜ 1 Ex e d ia mb IIC T6...T3 Gb X |
| EAC dust explosion protection | Ⓜ Ex tb IIIC T80° ... T135°C DbX |
| Certificates | ATEX (PTB), Brazil (ULB), China (NEPSI), EAC (LPE), IECEX (PTB), India (PESO), Korea (KGS), Taiwan (ITRI) |
| Notes | CCC certificate available from 2021 onward |
| Ship approval | DNVGL |
| Notes | Product label may vary. Series devices have certification according to ATEX and IECEX. |
| Electrical Data | |
| Rated operational voltage AC | 60 V |
| Notes | depend on the terminal type used and the explosion protected components |
| Ambient Conditions | |
| Ambient temperature | -40 °C ... +75 °C |
| Mechanical Data | |
| Degree of protection IP (IEC 60529) | IP66 |
| Silicone-free | No |
| Connection cross-section | 2.5 mm ² |
| Cover | Screw-on cover |
| Material note | special version on request |
| Components | |
| Notes | Please refer to the manufacturer's terminal data, e. g. the tightening torque |



Accessories

| Figure | Description | Art. No. | Weight kg |
|---|---|----------|-----------|
|  | Retrofittable hinge for enclosure up to max. 400 x 400 mm | 275739 | 0.066 |

Dimensional Drawings (All Dimensions in mm [inches]) – Subject to Alterations



| Width [mm] | Height [mm] | Depth [mm] | Total depth [mm] | Fixing dimensions [mm] | | | | | |
|------------|-------------|------------|------------------|------------------------|----|----|----|----|----|
| E | F | G | H | a1 | a2 | b1 | b2 | c1 | c2 |