



- Horn: Directional/max. 105 dB(A)
- Type of protection: Ex e
- Class: IP55/65 (IEC 60529)
- Robust PC/ABS enclosure
- Stainless steel mountings and console sealing element included
- Signal horn series 8491/1: With trumpet and connection line
- Signal horn series 8491/2: Compact design with Ex e connection chamber

WebCode **8491A**



Product series 8491 are audio signalling devices that provide alerts, warnings or signals in hazardous areas, made from a robust PC/ABS blend. Mounting takes place using angle mounting.

The versions of the 8491/1 series have been developed for use in gas hazardous areas. They feature a trumpet for optimum sound bundling and a connection line.

The compact signal horns in the 8491/2 series have a connection chamber and can be used both indoors and outdoors in gas and dust hazardous areas.

	IECEX / ATEX					
Zone	0	1	2	20	21	22
Installation in		•	•		•	•

Selection Table					
Product variant		Signal horn with trumpet			
Rated operational voltage AC	Rated operational voltage DC	Safety nominal value	Product Type	Art. No.	Weight kg
24 V	-	630 mA	8491/11-024-RU	247037	1.450
		630 mA	8491/11-024	145276	1.450
42 – 48 V	-	315 mA	8491/11-042-RU	247038	1.450
		315 mA	8491/11-042	145278 ▲	1.450
115 V	-	315 mA	8491/11-115-RU	247039	1.450
		315 mA	8491/11-115	145279	1.450
230 V	-	125 mA	8491/11-230-RU	247040	1.450
		125 mA	8491/11-230	145280 ▲	1.450
-	24 V	500 mA	8491/15-024-RU	247036	1.450
		500 mA	8491/15-024	145275 ▲	1.450
Product variant		Signal horn, compact design with connection chamber			
Rated operational voltage AC	Rated operational voltage DC	Safety nominal value	Product Type	Art. No.	Weight kg
24 V	-	630 mA	8491/21-024-RU	247042	1.500
		630 mA	8491/21-024	145282	1.500
42 – 48 V	-	315 mA	8491/21-042-RU	247043	1.500
		315 mA	8491/21-042	145283	1.500

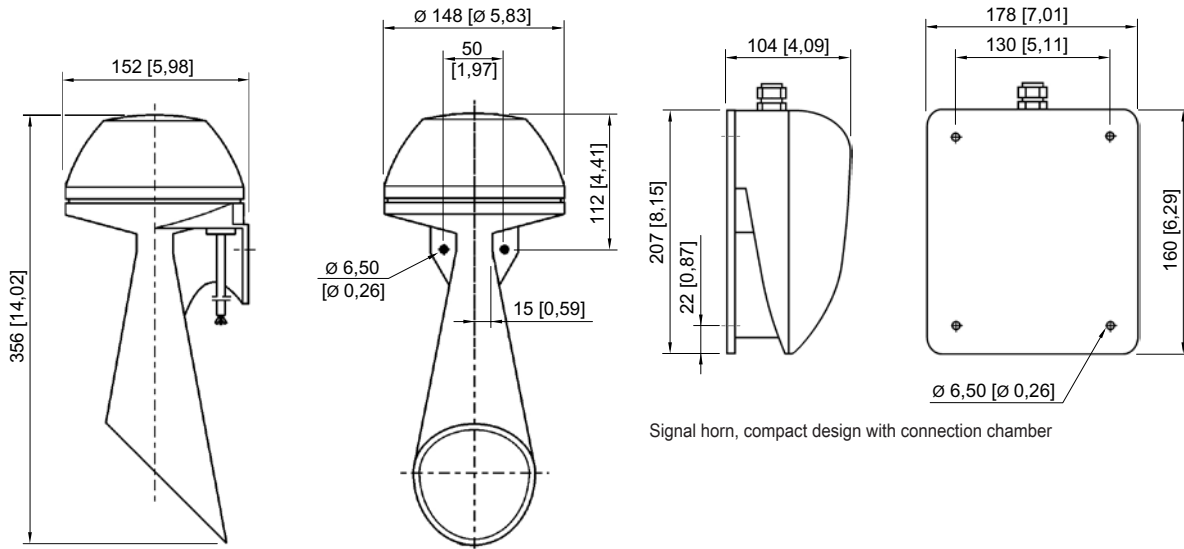
Selection Table						
Signal horn, compact design with connection chamber						
Product variant	Rated operational voltage AC	Rated operational voltage DC	Safety nominal value	Product Type	Art. No.	Weight kg
115 V	-		315 mA	8491/21-115-RU	247044	1.500
			315 mA	8491/21-115	145284	1.500
230 V	-		125 mA	8491/21-230-RU	247035	1.500
			125 mA	8491/21-230	145285 ▲	1.500
-	24 V		500 mA	8491/25-024-RU	247041	1.500
			500 mA	8491/25-024	145281 ▲	1.500

Technical Data		
Variant	8491/1	8491/2
Explosion Protection		
Ambient temperature °C	-40 ... +50 °C	-40 ... +50 °C
ATEX gas explosion protection	Ⓔ II 2 G Ex mb IIC T5 Gb	Ⓔ II 2 G Ex eb mb IIC T5 Gb
ATEX dust explosion protection		Ⓔ II 2 D Ex tb IIIC T70 °C Db
EAC gas explosion protection	Ⓘ 1 Ex mb IIC T5 Gb X	Ⓘ 1 Ex e mb IIC T5 Gb X
EAC dust explosion protection		Ⓘ Ex tb IIIC T70°C Db X
Certificates	ATEX (BVS), EAC (ENDCE)	ATEX (BVS), EAC (ENDCE)
Acoustic Data		
Sound pressure level	max. 105 dB(A) @ 1 m	max. 105 dB(A) @ 1 m
Mechanical Data		
Degree of protection IP (IEC 60529)	IP55	IP65
Enclosure material	PC/ABS	PC/ABS
Trumpet material	PC/ABS	
Enclosure colour	Black	Black
Connection terminals solid max.		2.5 mm ²
Conductor length	3 m	
Mounting / Installation		
Connection type	LAPP THERM 145, 2 x 0.75 mm ²	Screw terminal
Components		
Drilled holes		1 x M16
Cable entries		1 x M16 Ø 6.5 – 9.5 mm

You can find more technical data online at r-stahl.com. WebCode 8491A

Dimensional Drawings (All Dimensions in mm [inches]) – Subject to Alterations

E5



Signal horn with trumpet

Signal horn, compact design with connection chamber