



- Flexible: Modular structure and 3 sizes enable customer-specific versions
- Lightweight enclosure made from glass fibre reinforced polyester resin (GRP), suitable for shipping industry and offshore
- Versions with contact elements 8082 and 8208, usable up to SIL 2 and/or SIL 3

E4

WebCode 8040B



With the R. STAHL Series 8040 control device system, you can get a clear overview of the control devices. The 3 combinable design sizes and the modular structure offer flexibility. You can choose from one standard version and customised variants. The 8208 contact elements monitor the systems for wire breakage and short circuit.

	IECEX / ATEX					
Zone	0	1	2	20	21	22
Installation in		•	•		•	•



Selection Table									
Product variant 2 pushbuttons									
Figure	Installation position top	Built-in element top	Installation position middle	Built-in element middle	Installation position bottom	Built-in element bottom	Product Type	Art. No.	Weight kg
	Pushbutton Green - "I"	Contact element NC / NO	-	-	Pushbutton Red - "0"	Contact element NC / NO	8040/1280X-01L13SA05-01L08SA05	130692 ▲	0.460
Product variant 3 pushbuttons									
Figure	Installation position top	Built-in element top	Installation position middle	Built-in element middle	Installation position bottom	Built-in element bottom	Product Type	Art. No.	Weight kg
	Pushbutton Green - "I"	Contact element NC / NO	Pushbutton Red - "0"	Contact element NC / NO	Pushbutton Green - "II"	Contact element NC / NO	8040/1380X-01L13SA05-01L08SA05-01L15SA05	130861	0.580
Product variant Key-operated switch									
Figure	Installation position top	Built-in element top	Installation position middle	Built-in element middle	Installation position bottom	Built-in element bottom	Product Type	Art. No.	Weight kg
	-	-	Key-operated switch Latching/latching	Contact element NC / NO	-	-	8040/1180X-08M01SA05	130902 ▲	0.450
	-	-	Key-operated switch Latching/latching	Contact element NO / NO	-	-	8040/1180X-08M03SA04	130822	0.450


Selection Table									
Product variant LED illuminated pushbutton									
Figure	Installation position top	Built-in element top	Installation position middle	Built-in element middle	Installation position bottom	Built-in element bottom	Product Type	Art. No.	Weight kg
	-	-	LED illuminated pushbutton All colours	Contact element NO / LED / NC	-	-	8040/1180X-35C06SA45	130828 ▲	0.400
Product variant LED indicating lamp									
Figure	Installation position top	Built-in element top	Installation position middle	Built-in element middle	Installation position bottom	Built-in element bottom	Product Type	Art. No.	Weight kg
	-	-	Indicator lamp bezel All colours	LED indicator lamp	-	-	8040/1180X-54C06SXXX	130890 ▲	0.350
Product variant LED indicating lamp and 2 pushbuttons									
Figure	Installation position top	Built-in element top	Installation position middle	Built-in element middle	Installation position bottom	Built-in element bottom	Product Type	Art. No.	Weight kg
	Indicator lamp bezel All colours	LED indicator lamp	Pushbutton Green - "I"	Contact element NC / NO	Pushbutton Red - "0"	Contact element NC / NO	8040/1380X-54C06SA70-01L13SA05-01L08SA05	130900 ▲	0.640
Product variant LED indicating lamp and pushbutton									
Figure	Installation position top	Built-in element top	Installation position middle	Built-in element middle	Installation position bottom	Built-in element bottom	Product Type	Art. No.	Weight kg
	Indicator lamp bezel All colours	LED indicator lamp	-	-	Pushbutton Red - "0"	Contact element NC / NO	8040/1280X-54C06SA70-01L08SA05	130852	0.460
Product variant LED indicating lamp and twin pushbutton									
Figure	Installation position top	Built-in element top	Installation position middle	Built-in element middle	Installation position bottom	Built-in element bottom	Product Type	Art. No.	Weight kg
	Indicator lamp bezel All colours	LED indicator lamp	-	-	Twin pushbutton Red "0", green "I"	Contact element NC / NO	8040/1280X-54C06SXXX-23D01SA05	130898 ▲	0.540
Product variant LED indicating lamp, twin pushbutton and mushroom stay-put button									
Figure	Installation position top	Built-in element top	Installation position middle	Built-in element middle	Installation position bottom	Built-in element bottom	Product Type	Art. No.	Weight kg
	Indicator lamp bezel All colours	LED indicator lamp	Twin pushbutton Red "0", green "I"	Contact element NC / NO	EM-STOP mushroom stay-put button with key lock	Contact element NC / NO	8040/1380X-54C06SA70-23D01SA05-09XXXSA05	130903	0.750
Product variant Mushroom pushbutton									
Figure	Installation position top	Built-in element top	Installation position middle	Built-in element middle	Installation position bottom	Built-in element bottom	Product Type	Art. No.	Weight kg
	-	-	Mushroom pushbutton Black - "I"	Contact element NC / NO	-	-	8040/1180X-03L24SA05	130813 ▲	0.400

Selection Table									
Product variant Mushroom stay-put button									
Figure	Installation position top	Built-in element top	Installation position middle	Built-in element middle	Installation position bottom	Built-in element bottom	Product Type	Art. No.	Weight kg
	–	–	EM-STOP mushroom stay-put but. Red - (rotating arrow)	Contact element NC / NO	–	–	8040/1180X-10L07SA05	130679 ▲	0.400
		–	EM-STOP mushroom stay-put but. Red - (rotating arrow)	Contact element NC / NO / NC	–	–	8040/1180X-10L07SA08	130819 ▲	0.410
	–	–	EM-STOP mush. stay-put but. 55 Red - (rotating arrow)	Contact element NC / NO	–	–	8040/1180X-15L07SA05	130816 ▲	0.400
Product variant Mushroom stay-put button with key lock									
Figure	Installation position top	Built-in element top	Installation position middle	Built-in element middle	Installation position bottom	Built-in element bottom	Product Type	Art. No.	Weight kg
	–	–	EM-STOP mushroom stay-put button with key lock	Contact element NC / NO	–	–	8040/1180X-09XXXSA05	130665 ▲	0.450
Product variant Pushbutton									
Figure	Installation position top	Built-in element top	Installation position middle	Built-in element middle	Installation position bottom	Built-in element bottom	Product Type	Art. No.	Weight kg
	–	–	Pushbutton Red "0", green "I"	Contact element NC / NO	–	–	8040/1180X-01L50SA05	130686 ▲	0.370
Product variant Selector switch with contact element 8082									
Figure	Installation position top	Built-in element top	Installation position middle	Built-in element middle	Installation position bottom	Built-in element bottom	Product Type	Art. No.	Weight kg
	–	–	Small handle Latching/latching	Contact element NC / NO	–	–	8040/1180X-26M01SA05	130834 ▲	0.420
	–	–	Small handle Latching/latching/latching	Contact element NO / NO	–	–	8040/1180X-26M03SA04	130837	0.420
Product variant Twin pushbutton									
Figure	Installation position top	Built-in element top	Installation position middle	Built-in element middle	Installation position bottom	Built-in element bottom	Product Type	Art. No.	Weight kg
	–	–	Twin pushbutton Red "0", green "I"	Contact element NC / NO	–	–	8040/1180X-23D01SA05	130825	0.400

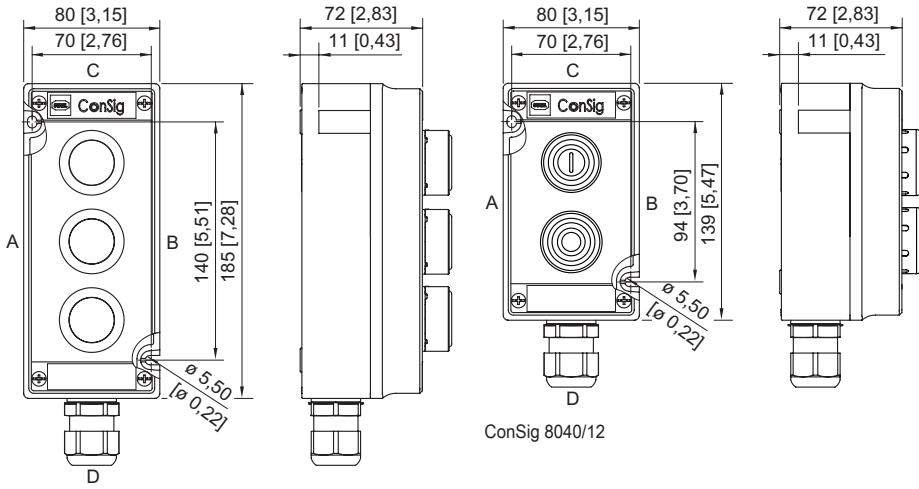
Technical Data	
Explosion Protection	
IECEX gas explosion protection	Ex db eb IIC T6/T5 Gb
IECEX dust explosion protection	Ex tb IIIC T80 °C ... T95 °C Db
ATEX gas explosion protection	Ⓜ II 2 G Ex db eb IIC T6/T5 Gb
ATEX dust explosion protection	Ⓜ II 2 D Ex tb IIIC T80 °C ... T95 °C Db

Technical Data	
Explosion Protection	
EAC gas explosion protection	Ex d e IIC T6 Gb X
EAC dust explosion protection	Ex tb IIIC T80 °C Db X
Certificates	ATEX (PTB), Brazil (ULB), China (NEPSI), EAC (LPE), IECEx (PTB), India (PESO), Korea (KGS), Taiwan (ITRI)
Notes	CCC certificate available from 2021 onward
Notes	Product label may vary. Series devices have certification according to ATEX and IECEx.
Electrical Data	
Rated operational voltage AC	500 V
Rated operational current	10 A (T6)
Ambient Conditions	
Ambient temperature	-60 °C ... +40 °C (T6) -60 °C ... +55 °C (T5)
Mechanical Data	
Degree of protection (IP)	IP66
Degree of protection note	acc. to IEC/EN 60529
Enclosure material	Polyester resin, Glass fibre reinforced
Seal	Silicone, foamed
Silicone-free	No
Cover fixing type	With captive screws, M4 stainless steel screws
Notes	Actuator and cable gland standard with silicone. Silicone-free on request only.
Components	
Flange and plates	Without flange, without plates
Cable entries	1 x M25 Ø 7 to 17 mm
Entry type	Standard 8161, moulded material

Accessories			
Figure	Description	Art. No.	Weight kg
Cylinder lock			
	for closing (bracket Ø 3)	107115	0.015
Spare key			
	Closing MS1	107109 ▲	0.008

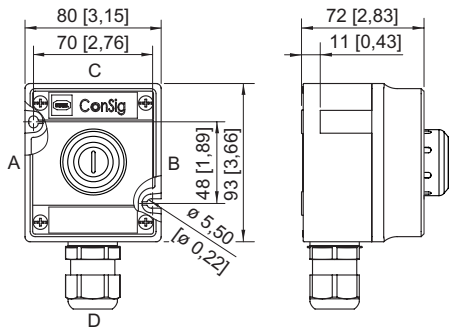
Spare Parts			
Figure	Description	Art. No.	Weight kg
Caps for BG 054			
	for indicator lamp, all colours packaged	248685	0.003

Spare Parts			
Figure	Description	Art. No.	Weight kg
Colour filter for BG 735			
	for illuminated pushbutton, all colours packaged	248684	0.001
Locking devices			
	8602C3-752 for actuated mushroom stay-put button BG010, BG012	244869	0.090
	8602C3-753 for not actuated pushbutton BG001	244870	0.090
	8602C3-754 for actuated pushbutton BG001	244871	0.090
	8602C3-755 for not actuated pushbutton BG001	244872	0.090
	8602C3-756 for actuated mushroom stay-put button BG010, BG012	244873	0.090
	8602C3-758 for not actuated mushroom stay-put button BG010, BG012	244874	0.090
Protective collar			
	8602C3-751 plastic/red for mushroom stay-put button with key lock/mushroom stay-put button Ø 39 BG006, BG009, BG010, BG012	257707	0.020
	8602C3-751 plastic/yellow for mushroom stay-put button with key lock/mushroom stay-put button Ø 39 BG006, BG009, BG010, BG012	257708	0.020
Special key			
	for tightening plastic locking nut	169101	0.030
Label holder			
	Size 2, without insert disc, 1- or 2-line label for actuators Ø 39	223567	0.002
	Size 3, without insert disc, 1-, 2- or 3-line label for actuators Ø 39	223568	0.002



ConSig 8040/12

ConSig 8040/13



ConSig 8040/11