

Installation Switch

Series 8040/11-V30



- > Available as
 - 2 pole OFF switch or
 - changeover switch
- > Enclosure made of optical fibre reinforced polyester resin
- > Degree of protection IP66 according to IEC/EN 60529
- > Clear position indicator 0/1 or ON/OFF

E3

www.stahl.de



10035E00

The installation switches Series 8040/11-V30 are used for lighting installations. The switch position is shown unambiguously by the 90° position. This is especially convenient if lights and switch are in different rooms. The fluorescent turning handle can be useful in the case of a power failure.

Zone	ATEX / IECEx					
	0	1	2	20	21	22
For use in		x	x		x	x

Explosion Protection

Global (IECEx)

Gas and dust | IECEx PTB 06.0025
Ex db eb ia [ia Ga] ib mb q IIC T6 Gb
Ex tb IIIC T80°C Db

Europe (ATEX)

Gas and dust | PTB 01 ATEX 1105
⊕ II 2 G Ex db eb ia [ia Ga] ib mb q IIC T6 Gb
⊕ II 2 D Ex tb IIIC T80°C Db

Certifications and certificates

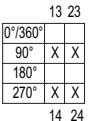
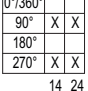
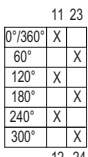
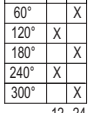
Certificates | IECEx, ATEX, Brazil (INMETRO), China (China-Ex), India (PESO), Canada (cUL), Kazakhstan (TR), Korea (KCs), Russia (TR), Ukraine (TR), USA (UL), Belarus (TR)

WebCode 8040F

Installation Switch

Series 8040/11-V30

Selection Table

Version	Description	Schematic	Ambient temperature	Art. no.	Order number	Weight kg
Installation Switch Series 8040/11-V30	Off switch		-20 ... +60 °C	245655	8040 / 11 - V30 - 033 - B	
	Off switch		-60 ... +60 °C	245656	8040 / 11 - V30 - 033 - S	
	Changeover switch		-20 ... +60 °C	245657	8040 / 11 - V30 - 035 - B	
	Changeover switch		-60 ... +60 °C	245658	8040 / 11 - V30 - 035 - S	
	according to order			245689	8040 / 11 - V30 - . .	

8040/11-V30-...-B: Actuator with seal made of NBR
8040/11-V30-...-S: Actuator with seal made of silicone

Technical Data

Electrical data

Rated operational voltage	690 V AC, 220 V DC		
Switching capacity	AC-1	16 A	690 V
	AC-15	16 A	415 V
	AC-3	8 A	500 V
	AC-3	4 A	690 V
	DC-1	10 A	24 V
	DC-1	6 A	60 V
Number of poles	2		

Ambient conditions

Ambient temperature	-20 ... +60 °C (sealing material: NBR)
	-60 ... +60 °C (sealing material: silicone)

Mechanical data

Degree of protection	IP66 according to IEC/EN 60529
Material	
Enclosure	Polyester resin, glass fibre reinforced
Cover	Polyester resin, glass fibre reinforced
Seal	Silicone, foamed
Service life	≥ 10 ⁶ operations
Cover lock	4 x M4 x 22 stainless steel countersunk head screw
Cover screws tightening torque	1.4 Nm

Mounting / Installation

Cable entry	1 x M25 x 1.5 cable gland 2 x M25 x 1.5 stopping plug
Terminals	finely stranded: 1.5 ... 2.5 mm ² single-wire: 1.5 ... 4.0 mm ²

Installation Switch

Series 8040/11-V30



Technical Data

Flanges	Standard	Plastic	Side D: 1 x M25 x 1.5 cable gland 8161 1 x M25 x 1.5 stopping plug 8290 Side C: 1 x M25 x 1.5 stopping plug 8290
	Special	Plastic	8040A0351 PA 2xM25x1.5 8040A0351 PA 2xM20x1.5 8040A0351 PA 1xM32x1.5 8040A0351 PA 3xM16x1.5 8040A0351 PA closed5 8040A0351 PA acc. to specification 8040A0351 PA 1xM20, 1xM25
		Metal	8040 metal acc. to specification 8040 metal 1xM25x1.5 8040 metal 2xM20x1.5 8040 metal 1xM32x1.5

E3

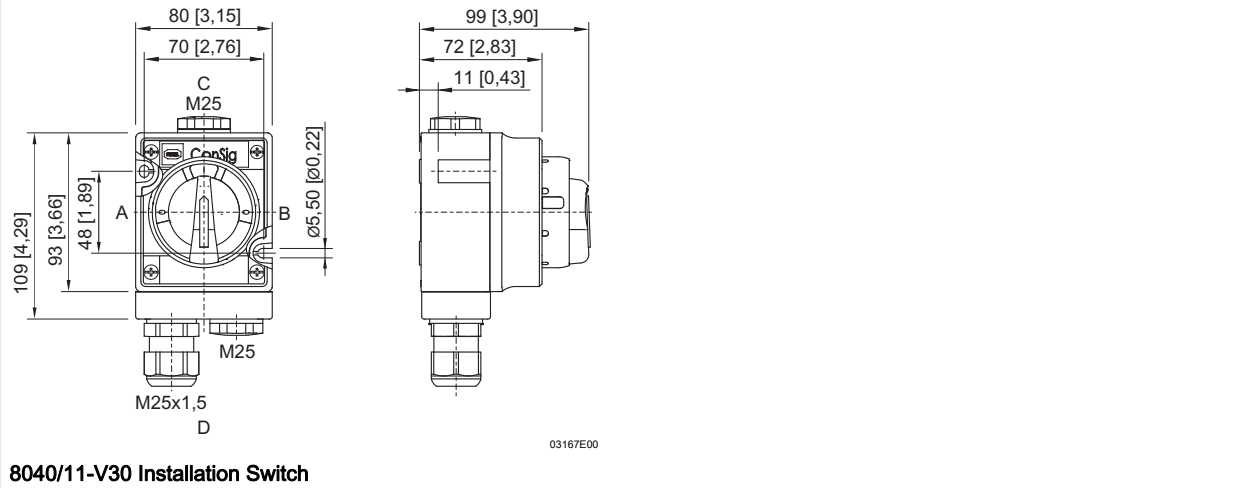
Accessories and Spare Parts

Designation	Figure	Description	Art. no.	Weight kg
Switch	 10342E00	for Installation Switch 8040/11-V30-033 OFF switch	128441	0.128
		for Installation Switch 8040/11-V30-035 changeover switch	128450	0.128
Cable entries	 02055E00	of moulded material, Series 8161	on request	
	 14977E00	Ex d & Ex e cable gland for all types of unarmoured and braid armour cables (nickel plated brass)	on request	
	 17695E00	Cable Gland for all Types of Armoured Cables (SWA/ AWA, Wire-Braid, Tape) (Steel and Aluminium)	on request	
Stopping plugs	 01519E00	made of plastic, series 8290	on request	
	 01901E00	made of metal, series 8294	on request	

Installation Switch

Series 8040/11-V30

Dimensional Drawings (All Dimensions in mm [inches]) - Subject to Alterations



8040/11-V30 Installation Switch

We reserve the right to make alterations to the technical data, dimensions, weights, designs and products available without notice. The illustrations cannot be considered binding.