

Lighting and Heating Panel CUBEx Series 8264/5-ExV

CUBEx



- > Enclosures with Ex d protection
- > Available versions:
 - with MCB, characteristics C
 - with MCB / ELCB, characteristics B resp. C
- > Advantage
 - short delivery time

www.stahl.de



10229E00

The mains connection switch of the lighting and heating panels CUBEx Series 8264/5-ExV is operated through the side wall via an actuation mechanism. The circuit breakers are fitted on the second mounting level and are actuated via rotary drives. As an option it is possible to fit test keys to the ELCBs to make it possible to actuate them without opening the cover. Four drill holes are provided for in the back wall of the enclosure for fixing the devices. Delivery of a wall fastening rail is optionally possible. Cable entry is done directly via tapped holes, wired directly to the switches. For current distribution the original comb type rails are used at the switching units. A typical design allows for 12 or 24 circuit breakers. Different designs upon request.

E8

	ATEX / IECEx						NEC 505 Class I						NEC 506		
	0	1	2	20	21	22	Zone	0	1	2	20	21	22		
For use in		x	x		x	x	For use in		x						

WebCode 8264A

Lighting and Heating Panel CUBEx

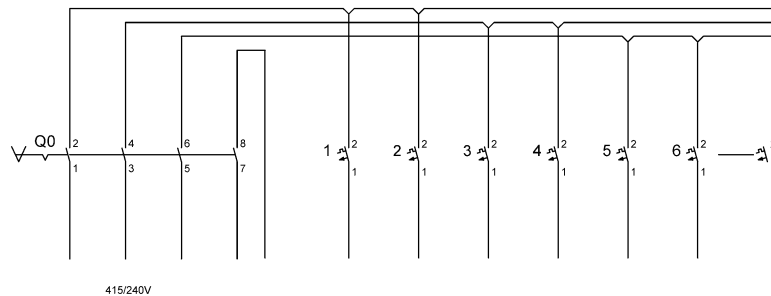
Series 8264/5-ExV



Selection Table

Version	Quantity	Characteristics	Layout No.	Cable entries	Order number
MCB 1-pole 16 A	12	C	01	1 x M50, 12 x M20	8264/5-ExV-01-12L16C1P-D
	24	C	02	1 x M50, 24 x M20	8264/5-ExV-02-24L16C1P-D

Schematic



415/240V



09804E00

Explosion Protection

Global (IECEX)

Gas and dust

IECEX KEM 07.0051X
Ex d ... IIB + H2 T6 ... T4, Ex d ... IIB T6 ... T4
Ex tD A21 IP66 T80°C ... T130°C

Europe (ATEX)

Gas and dust

KEMA 01 ATEX 2145
II 2 GD Ex d IIB T6 (others on request)

Certifications and certificates

Certificates

IECEX, ATEX, Brazil (INMETRO), India (PESO), Canada (cUL), Kazakhstan (TR), Russia (TR), Taiwan (ITRI), USA (UL), Belarus (TR)

Technical Data

Electrical data

Rated voltage 415 V / 240 V AC
Rated current 100 A

Ambient conditions

Ambient temperature
standard: -20 ... +40 °C
on request: -55 ... +60 °C (IIB)
-20 ... +60 °C (IIB + H2.)
-55 ... +60 °C (tD)

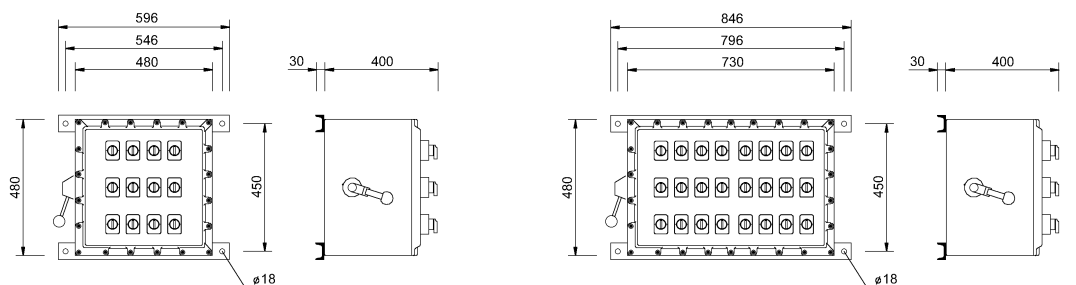
Mechanical data

Degree of protection IP66 (EN 60529)
Enclosure standard: Aluminium (saltwater-proof according to EN 13195-1)
special: Stainless steel

Note

Further rated currents 6, 10, 20 A

Dimensional Drawings (All Dimensions in mm) - Subject to Alterations



Layout 01

10046E00

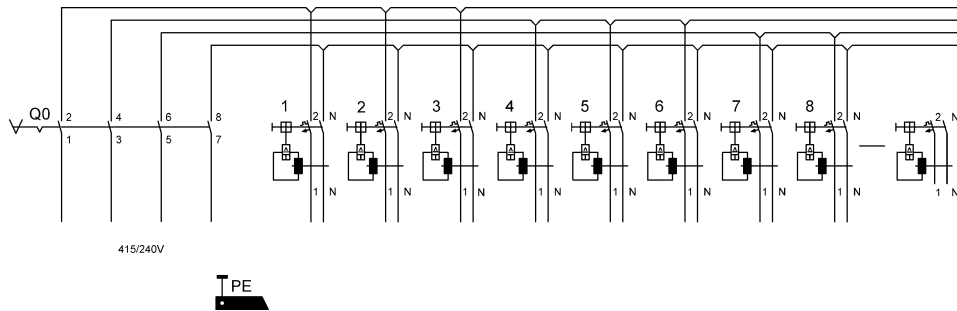
Layout 02

10045E00

Selection Table

Version	Quantity	Characteristics	Layout No.	Cable entries	Order number
MCB / ELCB 1-pole + N 16 A / 30 mA	12	B	01	1 x M50, 12 x M20	8264/5-ExV-01-12H16B1N-D
	24	B	02	1 x M50, 24 x M20	8264/5-ExV-02-24H16B1N-D
	12	C	01	1 x M50, 12 x M20	8264/5-ExV-01-12H16C1N-D
	24	C	02	1 x M50, 24 x M20	8264/5-ExV-02-24H16C1N-D

Schematic



Explosion Protection

Global (IECEX)

Gas and dust

IECEX KEM 07.0051X
Ex d ... IIB + H2 T6 ... T4, Ex d ... IIB T6 ... T4
Ex tD A21 IP66 T80°C ... T130°C

Europe (ATEX)

Gas and dust

KEMA 01 ATEX 2145
II 2 GD Ex d IIB T6 (others on request)

Certifications and certificates

Certificates

IECEX, ATEX, Brazil (INMETRO), India (PESO), Canada (cUL), Kazakhstan (TR), Russia (TR), Taiwan (ITRI), USA (UL), Belarus (TR)

Technical Data

Electrical data

Rated voltage 415 V / 240 V AC
Rated current 100 A

Ambient conditions

Ambient temperature
standard: -20 ... +40 °C
on request: -55 ... +60 °C (IIB)
-20 ... +60 °C (IIB + H2.)
-55 ... +60 °C (tD)

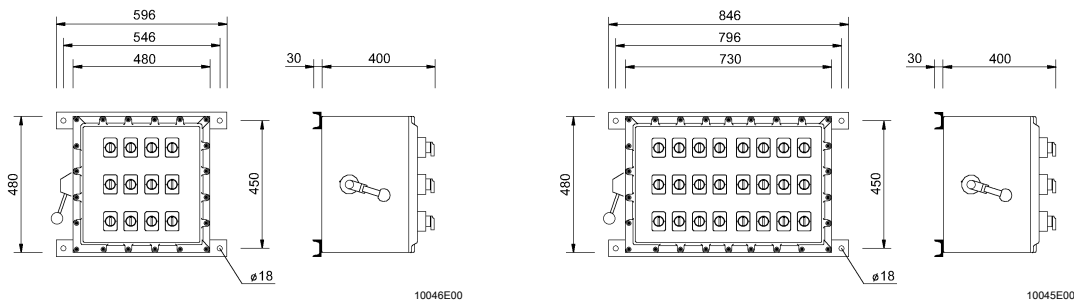
Mechanical data

Degree of protection IP66 (EN 60529)
Enclosure standard: Aluminium (saltwater-proof according to EN 13195-1)
special: Stainless steel

Note Further rated currents 6, 10, 20, 25, 40 A

E8

Dimensional Drawings (All Dimensions in mm) - Subject to Alterations



We reserve the right to make alterations to the technical data, dimensions, weights, designs and products available without notice. The illustrations cannot be considered binding.