



- MANTA Operator Station 24" as Panel PC or Thin Client
- Ethernet (1x / 2x) or fiber optic single mode / multi-mode
- For Zones 1, 21 / 2, 22 / Class I, Div 2 or safe areas
- ATEX, IECEx, EAC, NEC, CEC, PESO, KCS, CNEx, CCC and RCM
- Temperature range: -20 °C ... +55 °C

A8

## MY R. STAHL MANTAPCTCOSA

The MANTA operator stations are available as Panel PCs or Thin Clients, are fitted with quad core processors and have been certified for worldwide operation in Zones 1, 2, 21, 22 and Division 2. Data is transmitted via single / dual Ethernet (<100 m) or fibre optics (multi-mode <550 m, single mode <10 km). Their brilliant 24" widescreen displays with a resolution of 1920 x 1080 pixels (format 16:9) are available with or without touch screen. The stainless steel enclosures (SS304 or SS316L) are available with a front opening or in clean-room-compliant design and with different mounting options. Accessories include country-specific keyboards, pointer instruments, RFID readers and barcode readers as well as different memory sizes (64 / 128 GB).

Selection Table						
HMI type Technology	Operator Station Panel PC					
Product Type	Application range (zones)	Product description	Interface medium	Data cable length	Art. No.	Weight
OS ET-477-2TX	1 2 21 22	24" Panel PC	CAT7 Data transmission	2x Max. 100 m		-
OS ET-477-LX	1 2 21 22	24" Panel PC	LX: single mode optical cable TX: CAT7 data transmission	LX: max. 10 km TX: max. 100 m		-
OS ET-477-SX	1 2 21 22	24" Panel PC	SX: multi-mode optical cable TX: CAT7 data transmission	SX: Max. 550 m for 50 µm or max. 275 m for 62,5 µm FO cable TX: Max. 100 m		-
OS IT-477-FX	Non-Ex	24" Panel PC	Multi-mode optical cable	Max. 2000 m		-
OS IT-477-TX	Non-Ex	24" Panel PC	CAT5 Data transmission	max. 100 m		-
OS MT-477-2TX	2 22	24" Panel PC	CAT7 Data transmission	2x max. 100 m		-
OS MT-477-LX	2 22	24" Panel PC	LX: single mode optical cable TX: CAT7 data transmission	LX: max. 10 km TX: max. 100 m		-
OS MT-477-SX	2 22	24" Panel PC	SX: multi-mode optical cable TX: CAT7 data transmission	SX: Max. 550 m for 50 µm or max. 275 m for 62,5 µm FO cable TX: Max. 100 m		-

Selection Table						
HMI type Technology	Operator Station Remote HMI Thin Client					
Product Type	Application range (zones)	Product description	Interface medium	Data cable length	Art. No.	Weight
OS ET-577-2TX	1 2 21 22	24" Thin Client	CAT7 Data transmission	2x max. 100 m		-
OS ET-577-LX	1 2 21 22	24" Thin Client	LX: single mode optical cable TX: CAT7 data transmission	LX: max. 10 km TX: max. 100 m		-
OS ET-577-Purged KVM-over-IP	-	24" Thin Client	-	CAT up to 100 m (328 ft) MM up to 550 m (1,804 ft) over 50/125 µm fibre optic cable MM up to 275 m (902 ft) over 62.5/125 µm fibre optic cable SM up to 10 m (33 ft) over 9/125 µm fibre optic cable		-
OS ET-577-SX	1 2 21 22	24" Thin Client	SX: multi-mode optical cable TX: CAT7 data transmission	SX: Max. 550 m for 50 µm or max. 275 m for 62,5 µm FO cable TX: Max. 100 m		-
OS IT-577-FX	Non-Ex	24" Thin Client	Multi-mode optical cable	Max. 2000 m		-
OS IT-577-TX	Non-Ex	24" Thin Client	CAT5 Data transmission	max. 100 m		-
OS MT-577-2TX	2 22	24" Thin Client	CAT7 Data transmission	2x max. 100 m		-
OS MT-577-LX	2 22	24" Thin Client	LX: single mode optical cable TX: CAT7 data transmission	LX: max. 10 km TX: max. 100 m		-
OS MT-577-SX	2 22	24" Thin Client	SX: multi-mode optical cable TX: CAT7 data transmission	SX: Max. 550 m for 50 µm or max. 275 m for 62,5 µm FO cable TX: Max. 100 m		-

Technical Data			
Variant	OS ET-477-2TX	OS MT-477-2TX	OS IT-477-FX
Explosion Protection			
Application range (zones)	1 2 21 22	2 22	Non-Ex
Application range (divisions)	Class I, Division 2		
IECEX certification	IECEX BVS 11.0075X	IECEX BVS 14.0034X	
ATEX certification	BVS 11 ATEX E 102 X	BVS 12 ATEX E 033 X	
Scope	EU (CE / ATEX) International (IECEX) USA (NEC) Canada (CEC) India (PESO) Korea (KCS) China (CCC / CNEx) Australia (RCM)	EU (CE / ATEX) International (IECEX) China (CCC / CNEx) Australia (RCM)	
Electrical Data			
Rated operational voltage AC	230 V	230 V	230 V
Ambient Conditions			
Ambient temperature operation	-20 °C ... +55 °C	-20 °C ... +55 °C	-20 °C ... +55 °C
Storage temperature	-30 °C ... +70 °C	-30 °C ... +70 °C	-30 °C ... +70 °C
Display			
Display size inch	24	24	24
Total pixels	1920 x 1080	1920 x 1080	1920 x 1080
Display version	TFT Color display	TFT Color display	TFT Color display
Display dimensions	16:9	16:9	16:9

Technical Data			
Variant	OS ET-477-2TX	OS MT-477-2TX	OS IT-477-FX
Display			
Display brightness	300 cd/m <sup>2</sup>	300 cd/m <sup>2</sup>	300 cd/m <sup>2</sup>
Display contrast	1000:1	1000:1	1000:1
Backlight	LED Technology	LED Technology	LED Technology
Mechanical Data			
Material front	Aluminium / stainless steel	Aluminium / stainless steel	Aluminium / stainless steel
Material back	Stainless steel	Stainless steel	Stainless steel
Ingress protection	IP66	IP66	IP66
Mounting / Installation			
Enclosure type	Stainless steel enclosure (FR) optional clean room (CFR)	Stainless steel enclosure (FR) optional clean room (CFR)	Stainless steel enclosure (FR) optional clean room (CFR)
Mounting option	Wall, elbow, stand	Wall, elbow, stand	Wall, elbow, stand
Components			
Keyboard	optional, 105 keys with trackball / joystick / touchpad (Ex ia)	optional, 105 keys with trackball / joystick / touchpad (Ex ia)	optional, 105 keys with trackball / joystick / touchpad

## Configurator

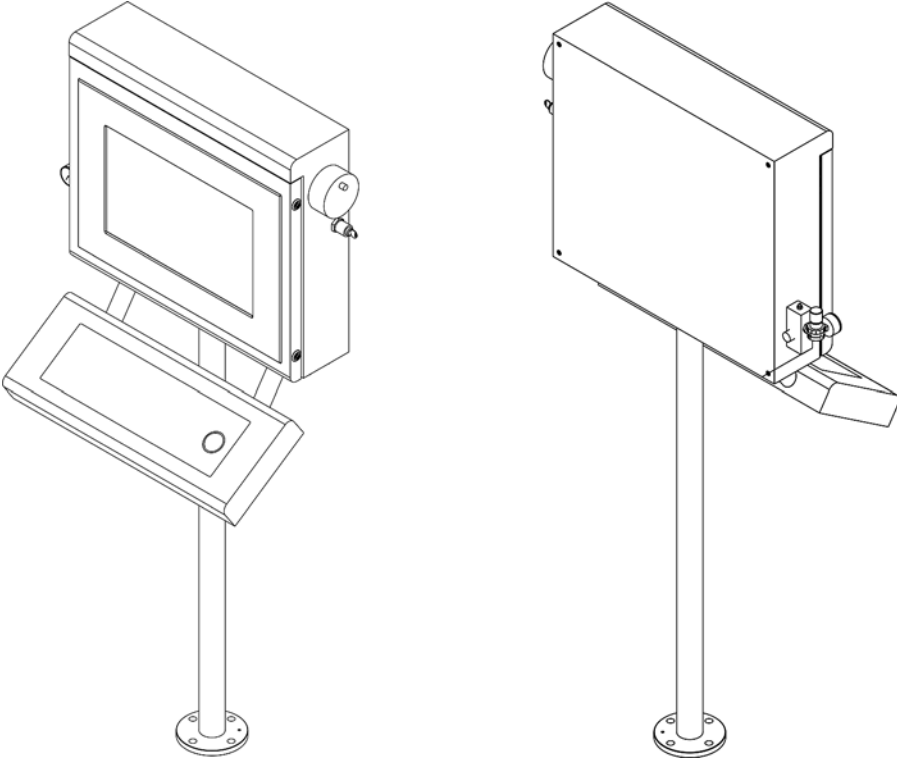
<b>Series</b>		<b>Enclosure type and material</b>	
Class I, Division 1	<input checked="" type="checkbox"/>	Cleanroom enclosure with front door (CFRP), SS304	<input checked="" type="checkbox"/>
<b>Display size</b>		<b>Outdoor Design</b>	
24", 1920 x 1080 - Format 16:9	<input checked="" type="checkbox"/>	-20 °C (-4 °F) (Indoor)	<input checked="" type="checkbox"/>
<b>Ethernet</b>		<b>Keyboard layout, mounted inside enclosure</b>	
1x copper Ethernet 10/100Base-TX	<input type="checkbox"/>	No Keyboard and no pointing device	<input type="checkbox"/>
1x FO Ethernet Multi-mode 1000Base-SX and 1x copper Ethernet 10/100/1000Base-TX	<input type="checkbox"/>	KB2 keyboard, layout DE	<input type="checkbox"/>
1x FO Ethernet Single mode 1000Base-LX and 1x copper Ethernet 10/100/1000Base-TX	<input type="checkbox"/>	KB2 keyboard, layout US	<input type="checkbox"/>
		KB2 keyboard, layout FR	<input type="checkbox"/>
<b>Touch</b>		<b>Integrated pointing device</b>	
No Touch	<input type="checkbox"/>	No integrated pointing device	<input type="checkbox"/>
Analogue resistive polyester foil	<input type="checkbox"/>	Trackball 50 mm	<input type="checkbox"/>
Analogue resistive glass touch	<input type="checkbox"/>	Touch Pad	<input type="checkbox"/>
		Joystick	<input type="checkbox"/>
<b>Power supply</b>		<b>Further options 1</b>	
24 VDC	<input type="checkbox"/>	Pressurised system type Y (Y-Purged), inclusive power supply- and alarm barrier	<input checked="" type="checkbox"/>
100 – 240 VAC	<input type="checkbox"/>		
<b>Front design</b>			
Panel mount with aluminum front plate	<input type="checkbox"/>		
Panel mount with stainless steel front plate	<input type="checkbox"/>		

Send your configuration to [Automationteam@r-stahl.com](mailto:Automationteam@r-stahl.com) and request a quote today.

## Accessories

Figure	Description	Art. No.	Weight
<b>Media Converter / Switch</b>			
	<b>SK-DRAG2-GBIC-LX</b> Single Port Fiber Switch from 5x 10/100/1000Base-TX to 1000Base-LX Data transmission: LWL LX: 1000Base-LX, cable length max. 10 m Duplex LC connectors	260411	500 g
	<b>SK-DRAG2-GBIC-SX</b> Single Port Fiber Switch from 5x 10/100/1000Base-TX to 1000Base-SX Data transmission: LWL SX: 1000Base-SX, cable length max. 500 m Duplex LC connectors	260410	500 g

## Dimensional Drawings (All Dimensions in mm [inches]) – Subject to Alterations



A8

