



- Resistant Ex e terminal boxes made from stainless steel, degree of protection IP66, external earth connection M8
- Version as screw-on cover or hinge cover with sash locks
- Equipped as required

E3

WebCode 8150A



R. STAHL Series 8150 Ex e terminal boxes are made of brushed stainless steel (1.4301, AISI 304 or 1.4404, AISI 316L) and are particularly resistant. The optimised design and the circumferential protection channel on the cover opening and the silicone seal suitable for the most extreme temperature ranges make the enclosure usable worldwide. Various optional accessories are available.

	IECEX / ATEX					
Zone	0	1	2	20	21	22
Installation in		•	•		•	•

Selection Table							
Enclosure material	1.4301 stainless steel, (AISI 304), brush finished						
Figure	Product Type	Dimensions (WxHxD)	Type of terminals 1	Terminal rail	Max. no. of terminals 2.5 mm ²	Art. No.	Weight kg
	8150/1-0400-0300-150-2311	400 x 300 x 150 mm	1 x WAGO 2002 2-conductor, 2.5 mm ² , grey	35 x 358 mm (1x)	63	212793	7.235
	8150/1-0360-0360-091-2311	360 x 360 x 91 mm	1 x WAGO 2002 2-conductor, 2.5 mm ² , grey	35 x 301 mm (1x)	52	212789	4.266
	8150/1-0360-0176-091-2311	360 x 176.5 x 91 mm	1 x WAGO 2002 2-conductor, 2.5 mm ² , grey	35 x 301 mm (1x)	52	212785	3.748
	8150/1-0300-0200-150-2311	300 x 200 x 150 mm	1 x WAGO 2002 2-conductor, 2.5 mm ² , grey	35 x 258 mm (1x)	43	212781	4.282
	8150/1-0236-0176-091-2311	236.5 x 176.5 x 91 mm	1 x WAGO 2002 2-conductor, 2.5 mm ² , grey	35 x 189 mm (1x)	27	212777	3.087
	8150/1-0176-0176-091-2311	176.5 x 176.5 x 91 mm	1 x WAGO 2002 2-conductor, 2.5 mm ² , grey	35 x 133 mm (1x)	19	212773	2.540
	8150/1-0176-0116-091-2311	176.5 x 116 x 91 mm	1 x WAGO 2002 2-conductor, 2.5 mm ² , grey	35 x 133 mm (1x)	19	212679	2.250

Selection Table

Enclosure material		1.4404 stainless steel, (AISI 316L), brush finished					
Figure	Product Type	Dimensions (WxHxD)	Type of terminals 1	Terminal rail	Max. no. of terminals 2.5 mm ²	Art. No.	Weight kg
	8150/1-0727-0360-150-3311	727 x 360 x 150 mm	1 x WAGO 2004 2-conductor, 4 mm ² , grey	35 x 672 mm (1x)	–	212806	2.877
	8150/1-0400-0400-150-3311	400 x 400 x 150 mm	1 x WAGO 2004 2-conductor, 4 mm ² , grey	35 x 358 mm (1x)	–	212798	–
	8150/1-0400-0300-150-3311	400 x 300 x 150 mm	–	35 x 358 mm (1x)	–	202242	–
	8150/1-0360-0360-150-3311	360 x 360 x 150 mm	–	35 x 301 mm (1x)	–	202236 ▲	6.515
	8150/1-0360-0360-091-3311	360 x 360 x 91 mm	1 x WAGO 2004 2-conductor, 4 mm ² , grey	35 x 301 mm (1x)	–	212790	4.266
	8150/1-0360-0176-091-3311	360 x 176.5 x 91 mm	1 x WAGO 2004 2-conductor, 4 mm ² , grey	35 x 301 mm (1x)	–	212786	3.748
		360 x 176.5 x 91 mm	–	35 x 301 mm (1x)	–	202230	3.300
	8150/1-0300-0200-150-3311	300 x 200 x 150 mm	1 x WAGO 2004 2-conductor, 4 mm ² , grey	35 x 258 mm (1x)	–	212782	4.282
		300 x 200 x 150 mm	–	35 x 258 mm (1x)	–	202186 ▲	4.824
	8150/1-0236-0176-091-3311	236.5 x 176.5 x 91 mm	1 x WAGO 2004 2-conductor, 4 mm ² , grey	35 x 189 mm (1x)	–	212778	3.091
		236.5 x 176.5 x 91 mm	–	35 x 189 mm (1x)	–	202224 ▲	2.500
	8150/1-0176-0176-091-3311	176.5 x 176.5 x 91 mm	1 x WAGO 2004 2-conductor, 4 mm ² , grey	35 x 133 mm (1x)	–	212774	2.540
		176.5 x 176.5 x 91 mm	–	35 x 133 mm (1x)	–	202190 ▲	2.410
	8150/1-0176-0116-091-3311	176.5 x 116 x 91 mm	1 x WAGO 2004 2-conductor, 4 mm ² , grey	35 x 133 mm (1x)	–	212680	2.250
		176.5 x 116 x 91 mm	–	35 x 133 mm (1x)	–	202188 ▲	1.600

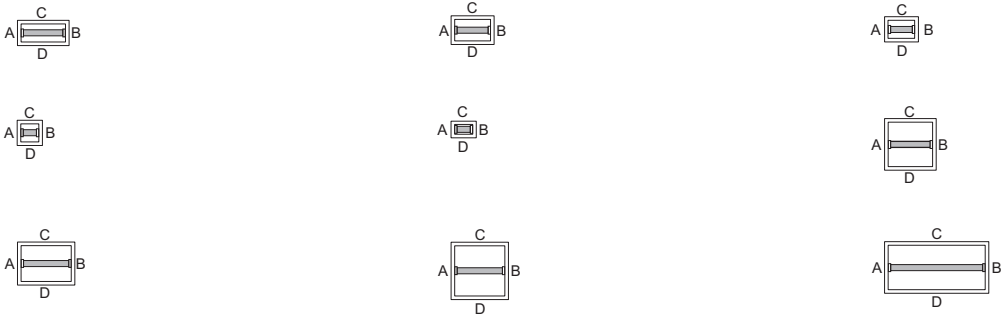
The enclosures are equipped with mounting rails and 1 terminal block of the specified type. Hinges can be ordered as accessories.

Technical Data


Explosion Protection	
IECEx gas explosion protection	Ex eb IIC T6 Gb
IECEx dust explosion protection	Ex tb IIIC T80 °C Db
ATEX gas explosion protection	Ⓔ II 2 G Ex eb IIC T6 Gb
ATEX dust explosion protection	Ⓔ II 2 D Ex tb IIIC T80 °C Db
EAC gas explosion protection	Ⓔ 1 Ex e d ia mb IIC T6...T3 Gb X
EAC dust explosion protection	Ⓔ Ex tb IIIC T80° ... T135°C DbX
Certificates	ATEX (PTB), Brazil (ULB), Canada (UL), China (NEPSI), EAC (LPE), IECEx (PTB), India (PESO), Korea (KGS), Taiwan (ITRI), USA (UL)
Notes	CCC certificate available from 2021 onward
Ship approval	DNVGL
Notes	Product label may vary. Series devices have certification according to ATEX and IECEx.
Electrical Data	
Notes	depend on the terminal type used and the explosion protected components

Technical Data

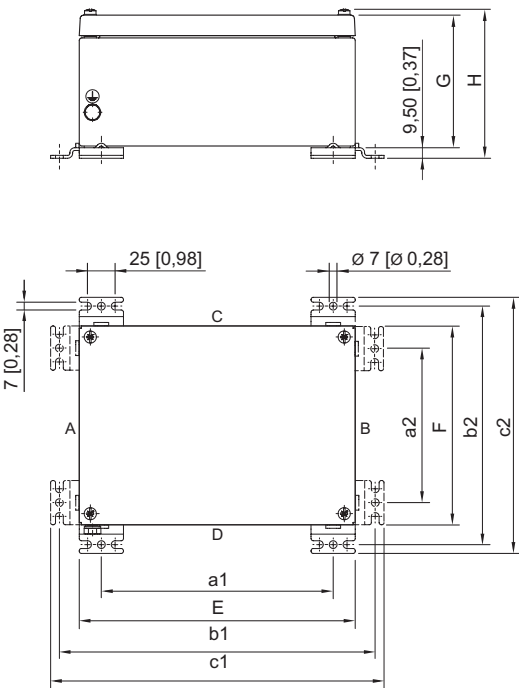
Mechanical Data	
Silicone-free	No
Cover	Screw-on cover
Material note	special version on request
Components	
Notes	Please refer to the manufacturer's terminal data, e. g. the tightening torque



Accessories

Figure	Description	Art. No.	Weight kg
	Retrofittable hinge for enclosure up to max. 400 x 400 mm	275739	0.066

Dimensional Drawings (All Dimensions in mm [inches]) – Subject to Alterations





Terminal Boxes Ex e

Series 8150/1 made of Stainless Steel

E3

Width [mm]	Height [mm]	Depth [mm]	Total depth [mm]	Fixing dimensions [mm]					
E	F	G	H	a1	a2	b1	b2	c1	c2