

PB55-CB55 Pressure Transmitters Bronze Series Process and Cleanline

FEATURES

- All stainless steel design
- 0,2 % accuracy of adjusted span
- Strong flush mounted diaphragm
- Active temperature compensation
- Optional digital local display and adjustments
- Wide selection of electrical & process connections
- IP66/68 Ingress rating

TYPICAL USES

- Food and beverage industry
- Pharma industry
- Pulp and paper
- Chemical and petrochemical plants



Bronze series
PB55-CB55



PERFORMANCE SPECIFICATIONS

Reference Temperature:	21 °C ±2 °C (70 °F ±2 °F)
Accuracy:	± 0.2 % of adjusted span
Stability:	≤ ±0.1 % of span / year
Adjustable Pressure Span:	0.1 to 80 bar see table on page 2
Pressure Type:	Gauge, Absolute Vacuum and Compound on request

ENVIRONMENTAL SPECIFICATIONS

Thermal Coefficients:	0.15% / 10 K
Temperature Limits:	Ambient/Storage: -20 °C to 70 °C (-4 °F to 158 °F) Remote: -20 °C to 80 °C (-4 °F to 176 °F) Media (PB55) -20 °C to 80 °C (-4 °F to 176 °F) Media (CB55) -20 °C to 100 °C (-4 °F to 212 °F)
Humidity:	0-100 % R.H. (non-condensing)

FUNCTIONAL SPECIFICATIONS

Driver and Software:	Microsoft Windows® 7 or higher
Interfaces:	PACTware™
Response Time (Output):	25 ms
On-field Adjustment:	See table "On-field Adjustments" on page 2 (optional)

PHYSICAL SPECIFICATION

Pressure:	Max. Overpressure: See table 1 on page 2 Proof: 75% of Max. Overpressure
Process Connection Size:	Check coding table "Process Connection" on page 2/3
Weather Protection:	Ingress Protection IP66 (optimal IP68)
Shock and Vibration Effects:	4.0 - 13.2 Hz constant displacement-amplitude 1.0 mm 13.2 - 100.0 Hz constant acceleration - 0.7 g 1 Sweep up with 1 oct/min

KEY BENEFITS

- Intelligent transmitters with adjustable span and high accuracy
- Minimum temperature effect
- Several setting and adjustment options

ELECTRICAL SPECIFICATIONS

Output:	4-20 mA (2-wire configuration)
Electrical Connection:	PG9 Cable gland for more see "Ordering Code" at page 4
Power Supply:	12 - 36 Vdc

WETTED COMPONENTS

Diaphragm:	Stainless steel 316L (1.4404) optional: St. st. 316L (1.4404) gold plated optional: Hastelloy C-276 (2.4819)
Flange:	Stainless steel 316L (1.4404) optional: Hastelloy C-276 (2.4819) inlay optional: St. st. 316L (1.4404) Tantalum coated inlay

NON-WETTED COMPONENTS

Housing:	Stainless steel 304 (1.4401) optional: Stainless steel 316L (1.4404)
----------	-------------------------------------------------------------------------

PB55-CB55 Pressure Transmitters Bronze Series Process and Cleanline

ON-FIELD ADJUSTMENTS WITH OPTIONAL LOCAL DISPLAY

- + Zero adjustment (4 mA)
- + Span adjustment (20 mA)
- + Cancel mounting position effect
- + Switch pressure units
- + Decimal point adjustment
- + Adjustable damping (0 to 99,9 sec)
- + Display mode selection (Pressure, current or percentage)

STANDARD PRESSURE RANGE

RANGE	CODE	ADJUSTABLE SPAN RANGES	MAX. OVERPRESSURE	NOTE
0 ... 0.4 bar	0P4BR	0 ... 0.1 bar to 0 ... 0.4 bar	6.4 bar	-
0 ... 0.7 bar	0P7BR	0 ... 0.4 bar to 0 ... 0.7 bar	6.4 bar	-
0 ... 1.5 bar	1P5BR	0 ... 0.7 bar to 0 ... 1.5 bar	10.5 bar	-
0 ... 4 bar	4BR	0 ... 1 bar to 0 ... 4 bar	16 bar	-
0 ... 10 bar	10BR	0 ... 1 bar to 0 ... 10 bar	30 bar	-
0 ... 16 bar	16BR	0 ... 7.5 bar to 0 ... 16 bar	60 bar	-
0 ... 50 bar	50BR	0 ... 16 bar to 0 ... 50 bar	120 bar	-
0 ... 80 bar	80BR	0 ... 40 bar to 0 ... 80 bar	200 bar	-



PB55-CB55 Pressure Transmitters Bronze Series Process and Cleanline

ORDERING CODE		EXAMPLE:	CB55	020	20	150	RF	FG	FN	42	10BR	XC3
Model												
PB55	Process pressure transmitter bronze series											
CB55	Cleanline pressure transmitter bronze series (sanitary)	CB55										
Accuracy												
020	0.2% of adjusted span			020								
Connection size												
		Process series PB55										
Threaded												
MG4F	G ½" (½" BSP) with flush diaphragm (available for 10, 16, 50, and 80 bar range)											
MG6F	G 1" (1" BSP) with flush diaphragm											
08F	1" NPT with flush diaphragm (available for 10, 16, 50 and 80 bar)											
Weld-on Nipple												
W33	Ø 33 mm connection nipple											
Manufacturer compatibility												
X2	M44x1,25 threaded lock ring (matches the 1-1/2" PMC and Rosemount)											
X10	Valcom process connection, ET 13											
X12	Satron / Valmet PASVE 1" BSP connection											
X37	Valcom process connection, ET 15 (available for 1.5, 4, 10, 16, 50 and 80 bar range)											
		Cleanline series CB55										
Threaded												
85	G 1-½" with flush diaphragm											
71	G 2" with flush diaphragm											
67	1-½" NPT with flush diaphragm											
IC20	2" IDF coupling nut											
SU85	SMS-Union 1-½"											
SU71	SMS-Union 2"											
Milk coupling												
MD25	Milk coupling DN25 (DIN 11851) (available for 4, 10, 16, 50 and 80 bar range)											
MD40	Milk coupling DN40 (DIN 11851)											
MD50	Milk coupling DN50 (DIN 11851)											
Tri-Clamp												
S15	1-½" Tri-Clamp (DIN 32676)											
S20	2" Tri-Clamp (DIN 32676)											
S30	3" Tri-Clamp (DIN 32676)											
Weld-on Nipple												
W62	Ø62 mm connection hygienic nipple											
W85	Ø85 mm connection hygienic nipple											
Flange according ASME B16.5 or EN1092-1												
10	Flange size 1" (ASME)											
15	Flange size 1-½" (ASME)											
20	Flange size 2" (ASME)											20
30	Flange size 3" (ASME)											
DN25	Flange size DN25 (EN)											
DN40	Flange size DN40 (EN)											
DN50	Flange size DN50 (EN)											
DN80	Flange size DN80 (EN)											

continued at page 3



PB55-CB55 Pressure Transmitters Bronze Series Process and Cleanline

ORDERING CODE **EXAMPLE:** CB55 010 20 150 RF FG FN 42 10BR XC3

Options (If choosing an option(s) must include a "X")

X_

Reducing Nipple
Process series PB55

RN1	G ¼" BSP Male
RN2	G ¼" BSP Female and G ½" BSP Male
RN3	G ½" BSP Male
RN4	G ½" BSP Female
RN5	G ½" BSP Male gauge connection DIN 16288
RN6	G ¾" BSP Male
RN7	¼" NPT Male
RN8	½" NPT Male
RN9	½" NPT Female
RN10	½" NPT Male and ¼" NPT Female
RN11	¾" NPT Male
RN12	M20x1,5

Process series CB55

RN13	½" BSP Male
RN14	1" BSP Male
RN15	½" NPT Male
RN16	½" NPT Female
RNO	Others

Case

YW	Enclosure stainless steel 316L (1.4404)
IP68	Ingress protection IP68 (only available for standard electrical connection PG9; venting cable required)

Ventilation cable length

0,5 ... 32 Ventilation cable length in 0,5 m steps

Digital Indicator

without local display (standard)

DG Digital local display

Remote Sensor

RE Remote Sensor connected with cable to enclosure and separated electronics

Remote Sensor cable length

3 ... 32 Remote cable length in 0,5 m steps

Electrical Connection

PG9 cable gland (standard)

EW	M12, 4-pin in stainless steel 316 (1.4401)
HM	Hirschmann connector plug
JL	½" NPT Female conduit
JM	M20x1,5 Female
KV2	PG 11 cable gland
KV3	PG 13,5 cable gland

Mounting

FW	Wall mounting bracket, material 304 (1.4301)
FW1	Wall mounting bracket, material 316L (1.4404)
TM	2" pipe mounting bracket, material 304 (1.4301)
TM1	2" pipe mounting bracket, material 316L (1.4404)

continued at page 5



**PB55-CB55 Pressure Transmitters Bronze Series
 Process and Cleanline**
ORDERING CODE **EXAMPLE:** CB55 010 20 150 RF FG FN 42 10BR XC3

Options (If choosing an option(s) must include a "X")

Cleaning

- 6B Cleaned for gaseous Oxygen or other strong oxidizing agents
- YF Cleaned silicone free

Marking/Tagging

- NH Stainless steel tag, wired to case
- NH1 Extra large stainless steel tag, wired to case
- NN Paper tag, bonded to enclosure

Testing/Certificates

- CD2 Material test report according to EN 10204 / 2.2
- C3 Material report according to EN 10204 / 3.1
- C4 Individual calibration chart
- CL Calibration according customer requirements

X_

C3



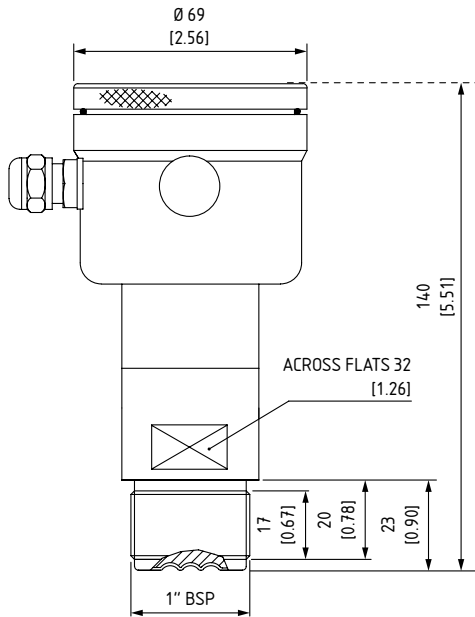
**PB55-CB55 Pressure Transmitters Bronze Series
Process and Cleanline**

**BRONZE SERIES - PROCESS
DIMENSIONS IN MM [INCH]**

For reference only, consult Ashcroft for specific dimensional drawings

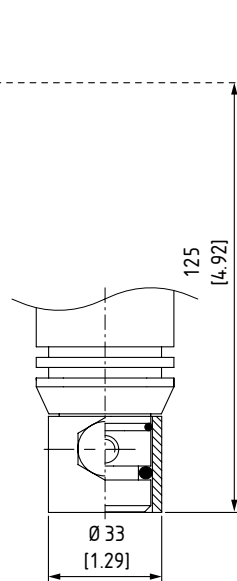
THREADED

Code: MG6F
G 1" with flush diaphragm



WELD-ON NIPPLE

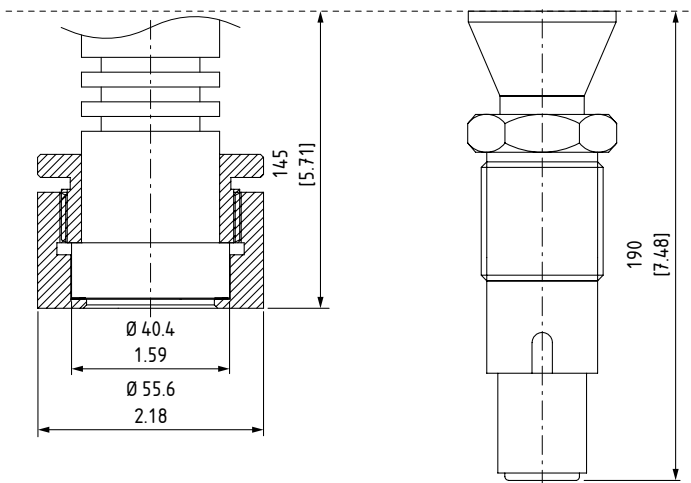
Code: W33
Ø 33 mm connection nipple



MANUFACTURER COMPATIBILITY

Code: X2 (left)
M44x1,25 threaded lock ring
(1-1/2" PMC and Rosemount)

Code: X12 (right)
PASVE 1" BSP
(Satron/Valmet)



PB55-CB55 Pressure Transmitters Bronze Series

Process and Cleanline

BRONZE SERIES - CLEANLINE (SANITARY)
DIMENSIONS IN MM [INCH]

For reference only, consult Ashcroft for specific dimensional drawings

