

DF Flush Flanged Diaphragm Seal

FEATURES

- Flush mounted diaphragm seal prevents clogging
- Engineered to minimize the use of expensive wetted materials
- Continuous-duty construction
- Available with a wide range of wetted materials

TYPICAL USES

- Oil and gas
- Refineries
- Chemical and petrochemical
- Water and wastewater
- NACE Compliant processes
- Biogas and diesel



DF
Flanged Seal



SPECIFICATIONS

Connection Style:	Flanges, flush diaphragm
Process Connection Size:	1, 1½, 2, 3 or 4 NPS
Instrument Connection Size:	¼ or ½ NPT Female
Flange Ratings:	ASME 150, 300, 600, 900, 1500, 2500
Flange:	Raised face or ring joint
Added Tolerance:	±0.5% typical
Approvals and Certificates:	CRN, NACE, ATEX, PMI, EN10204 3.1

WETTED COMPONENTS

Diaphragm Materials

316L SS, Monel® 400, Tantalum, Hastelloy®C-276, Halar® coated 316L SS, Gold plated 316 SS, Teflon coated 316SSL, Hastelloy C-276 Teflon coated, Inconel 625, Inconel 825, Teflon coated Tantalum, Duplex 2205

NON-WETTED COMPONENTS

Top Housing and Flange

316L Stainless Steel

KEY BENEFITS

- Compact design eliminates need for lower housing
- Protects process and instrumentation with materials to fit your application

ATEX

Conformity according to RL 94/9/EC appendix X for mechanical equipment in potential hazardous areas:

Optional marking
 Ⓢ0044 ⒸⒺ II 2 GD c II TX

File no. 35101282 at notified body 0044, TÜV NORD CERT

The temperature class will be determined by the used measuring device.

When selecting an instrument, refer to the [Min/Max Guide](#) for compatibility with this diaphragm seal or scan the QR code to the right.



Data Sheet

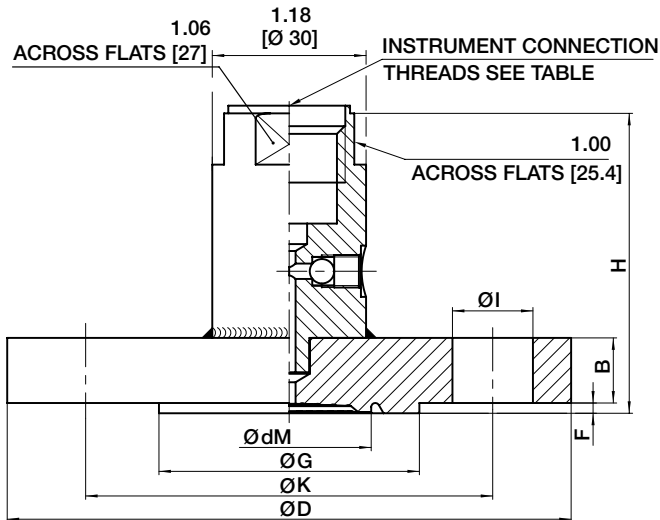
DF Flush Flanged Diaphragm Seal

ORDERING CODE	Example:	10	A	DF	S	S	02T	150	RF	XCK	MQ
Process Connection Size											
10 - 1 NPS		10									
15 - 1½ NPS											
20 - 2 NPS											
30 - 3 NPS											
40 - 4 NPS											
Flange Dimension Specification											
A - ASME B16.5			A								
Seal Type											
DF - Flush Diaphragm				DF							
Diaphragm Material											
S - 316L Stainless Steel					S						
P - Monel® 400											
U - Tantalum											
H - Hastelloy® C-276											
SH - Halar®-coated 316L Stainless Steel											
ST - Teflon®-coated 316L Stainless Steel											
HT - Teflon®-coated Hastelloy C-276											
UT - Teflon®-coated Tantalum											
W - Gold-plated 316L Stainless Steel											
M - Inconel 625											
L - Inconel 825											
Z - Duplex 2205											
Flange and top housing material											
S - 316L SS						S					
Instrument Connection Size											
02T - ¼ NPT Female							02T				
04T - ½ NPT Female											
Flange Class											
150 - ASME 150 class								150			
300 - ASME 300 class											
600 - ASME 600 class											
900 - ASME 900 class											
1500 - ASME 1500 class											
2500 - ASME 2500 class											
Flange Form (Contact Ashcroft for other range forms)											
RF - Raised Face									RF		
RJ - Ring Joint											
Options (if choosing option(s) must include an "X")										X_	
Fill Fluid											
CK - Silicone 50cST											CK
DJ - Silicone 10cST											
CF - Halocarbon®											
HA - Syltherm®											
Optional Features											
6B - Cleaned for oxygen service											
DU - Instrument welded to seal											
NH - Wired Stainless Steel tags											
C3 - EN 3.1 Traceability											
CD5 - NACE certificate											
MQ - Positive material identification											MQ
AT - ATEX approval											

DF Flush Flanged Diaphragm Seal

DIMENSIONS in [] are millimeters

For reference only, consult Ashcroft for specific dimensional drawings



Process Connection Size inches	Pressure Class	ØD	B	ØG	ØdM	F	ØK	ØI	H	Weight (lbs)
1	150	4.33	0.50	2.00	1.26	0.08	3.13	0.63 x 4	2.29	2.20
	300	4.92	0.63				3.50	0.75 x 4	2.42	3.31
	400/600		0.69				1.00 x 4	2.68	4.41	
	900/1,500	5.91	1.13			4.00		3.11	8.82	
	2,500	6.30	1.38			4.25	3.37	11.02		
1½	150	4.92	0.63	2.87	1.73	0.08	3.87	0.63 x 4	2.42	4.41
	300	6.10	0.75				4.50	0.87 x 4	2.54	6.61
	400/600		0.88				1.13 x 4	2.87	7.72	
	900/1,500	7.09	1.25			4.87		3.24	13.23	
	2,500	8.07	1.75			5.75	1.25 x 4	3.74	23.15	
2	150	5.91	0.69	3.63	2.24	0.08	4.75	0.75 x 4	2.48	5.51
	300	6.50	0.81				5.00	0.75 x 8	2.62	7.72
	400/600		1.00				1.00 x 8	2.99	9.92	
	900/1,500	8.46	1.50			6.50		3.49	23.15	
	2,500	9.23	2.00			6.75	1.13 x 8	3.99	35.27	
3	150	7.48	0.88	5.00	3.46	0.08	6.00	0.75 x 4	2.67	12.13
	300	8.27	1.05				6.63	0.87 x 4	2.85	15.43
	400/600		1.25				1.00 x 8	3.25	19.84	
	900	9.45	1.50			7.50		3.49	29.76	
	1,500	10.43	1.88			8.00		1.25 x 8	3.88	42.99
	2,500	12.01	2.63			9.00	1.37 x 8	4.61	77.16	
4	150	9.06	0.88	6.19	3.46	0.08	7.50	0.75 x 8	2.67	16.53
	300	10.04	1.19				7.87	0.87 x 8	2.98	26.46
	400		1.38				1.00 x 8	3.37	30.86	
	600	10.83	1.50			9.25		3.49	38.58	
	900	11.42	1.75			10.75	9.50	1.25 x 8	3.74	60.63
	1,500	12.20	2.13				1.37 x 8	4.11	66.14	
	2,500	13.8	3.00				1.63 x 8	4.99	119.05	