



Linear Luminaire with LED

Series EXLUX 6002/4

Contents

1	General Information	3
1.1	Manufacturer	3
1.2	Information regarding the operating instructions	3
1.3	Further documents	3
1.4	Conformity with standards and regulations	3
2	Explanation of the symbols	4
2.1	Symbols in these operating instructions	4
2.2	Warning notes	4
2.3	Symbols on the device	5
3	Safety notes	5
3.1	Operating instructions storage	5
3.2	Safe use	5
3.3	Intended Use	6
3.4	Modifications and alterations	6
4	Function and device design	6
4.1	Function	6
4.2	Device design	7
5	Technical data	9
6	Transport and storage	14
7	Mounting and installation	15
7.1	Dimensions / fastening dimensions	15
7.2	Removing protective foil	17
7.3	Mounting / dismounting, operating position	18
7.4	Installation	21
8	Commissioning	26
9	Maintenance, Overhaul, Repair	26
9.1	Maintenance	27
9.2	Repair	27
9.3	Returning the device	28
10	Cleaning	28
11	Disposal	28
12	Accessories and Spare parts	28

1 General Information

1.1 Manufacturer

R. STAHL Schaltgeräte GmbH
Am Bahnhof 30
74638 Waldenburg
Germany

Phone: +49 7942 943-0
Fax: +49 7942 943-4333
Internet: r-stahl.com
E-mail: info@r-stahl.com

R. STAHL (P) LTD., Plot No. - 5
Malrosapuram Road, Sengundram Indl. Area
Singaperumal Koil, Kancheepuram Dist.,
Tamil Nadu – 603 204, INDIA

Phone: +91 44-30 600 600
Fax: +91 44-30 600 700
Internet: rstahl.net
E-mail: sales@rstahl.net

R. STAHL Schaltgeräte GmbH
Business Unit Lighting & Signalling
Nordstr. 10
99427 Weimar
Germany

Phone: +49 3643 4324
Fax: +49 3643 4221-76
Internet: r-stahl.com
E-mail: info@r-stahl.com

1.2 Information regarding the operating instructions

ID-No.: 265138 / 600260300080
Publication Code: 2020-08-03-BA00-III-en-03

The original instructions are the English edition.
They are legally binding in all legal affairs.

1.3 Further documents

- Data sheet
- For documents in additional languages, see r-stahl.com.

1.4 Conformity with standards and regulations

See certificates and EU Declaration of Conformity: r-stahl.com.
The device has IECEx approval. For certificate please refer to the IECEx homepage:
<http://iecex.iec.ch/>
Further national certificates can be downloaded via the following link:
<https://r-stahl.com/en/global/support/downloads/>.

2 Explanation of the symbols

2.1 Symbols in these operating instructions

Symbol	Meaning
	Tips and recommendations on the use of the device
	Danger due to explosive atmosphere
	Danger due to live components



2.2 Warning notes

Warnings must be observed under all circumstances, in order to minimize the risk due to construction and operation. The warning notes have the following structure:

- Signalling word: DANGER, WARNING, CAUTION, NOTICE
- Type and source of danger/damage
- Consequences of danger
- Taking countermeasures to avoid the danger or damage

	DANGER
	Danger to persons Non-compliance with the instruction results in severe or fatal injuries to persons.
	WARNING
	Danger to persons Non-compliance with the instruction can result in severe or fatal injuries to persons.
	CAUTION
	Danger to persons Non-compliance with the instruction can result in light injuries to persons.
NOTICE	
Avoiding material damage Non-compliance with the instruction can result in material damage to the device and / or its environment.	

2.3 Symbols on the device

Symbol	Meaning
 0158 <small>0594E00</small>	CE marking according to the currently applicable directive.
 <small>02198E00</small>	According to marking, device approved for hazardous areas.

3 Safety notes

3.1 Operating instructions storage

- Read the operating instructions carefully.
- Store the operating instructions at the mounting location of the device.
- Observe applicable documents and operating instructions of the devices to be connected.

3.2 Safe use

Before mounting

- Read and observe the safety notes in these operating instructions!
- Ensure that the contents of these operating instructions are fully understood by the personnel in charge.
- Use the device in accordance with its intended and approved purpose only.
- Always consult R. STAHL Schaltgeräte GmbH if using the device under operating conditions which are not covered by the technical data.
- We cannot be held liable for damage to the device caused by incorrect or unauthorised use or non-compliance with these operating instructions.

For assembly and installation

- Observe national assembly and installation regulations (e.g. IEC/EN 60079-14).
- Observe national safety and accident prevention regulations.
- During installation and operation, observe the information (characteristic values and rated operating conditions) on the type plates and data plates and information signs located on the device.
- Before installation, make sure that the device is not damaged.

Maintenance, repair, commissioning



- Before commissioning, make sure that the device is not damaged.
- Work on the device, such as installation, maintenance, overhaul, repair, may only be carried out by appropriately authorised and trained personnel.
- Perform only maintenance work or repair described in these operating instructions.

3.3 Intended Use


The luminaire 6002/4 is equipment

- for lighting areas, work spaces and objects
- can be used indoors and outdoors
- for stationary mounting
- for use in Zones 1, 21, 2, 22 and in the safe area

3.4 Modifications and alterations

	DANGER
	Explosion hazard due to modifications and alterations to the device! Non-compliance results in severe or fatal injuries. <ul style="list-style-type: none"> • Do not modify or alter the device.
	No liability or warranty for damage resulting from modifications and alterations.

4 Function and device design

	DANGER
	Explosion hazard due to improper use! Non-compliance results in severe or fatal injuries. <ul style="list-style-type: none"> • Use the device only in accordance with the operating conditions described in these operating instructions. • Use the device only for the intended purpose specified in these operating instructions.

4.1 Function

Application range

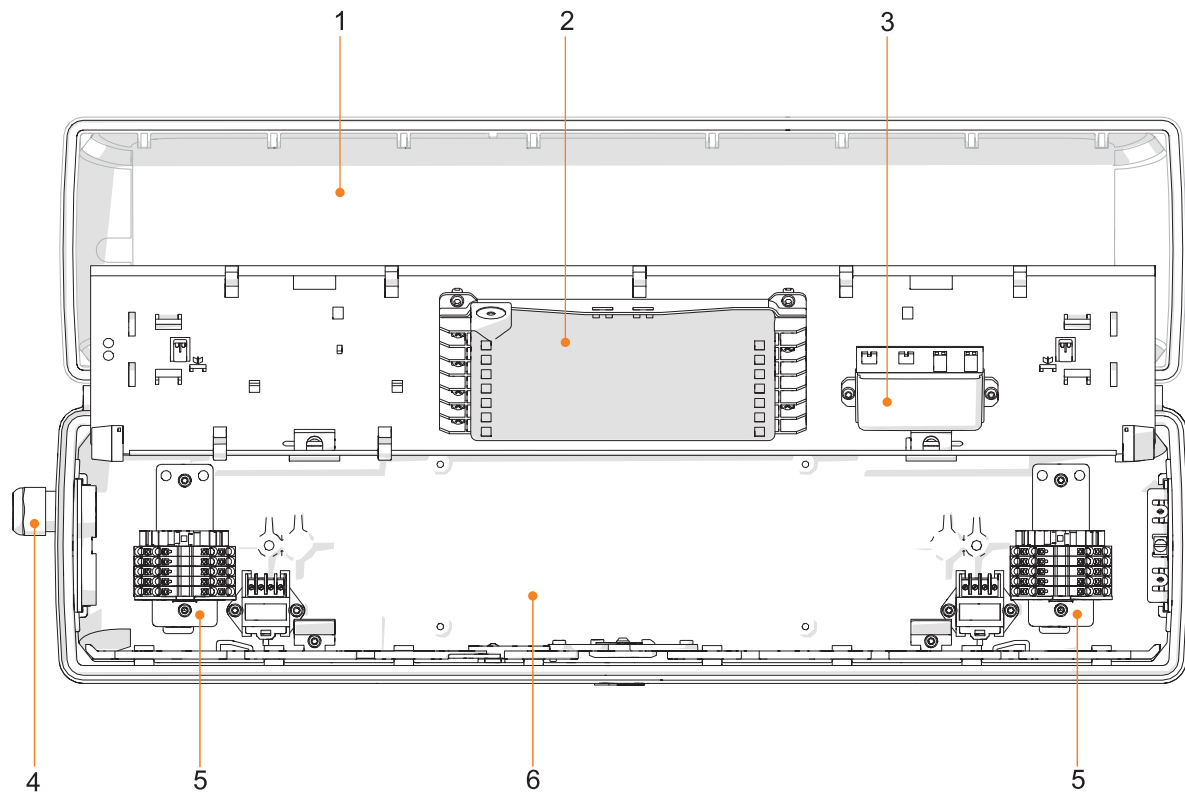
The light fitting 6002/4 is equipment used for lighting areas, work equipment and objects. It can be used indoors and outdoors.

Mode of operation

When opened using a central lock, the luminaire switches off automatically (optional). The operating hours can be determined and the luminaire can be dimmed and switched (optional) via a DALI interface.

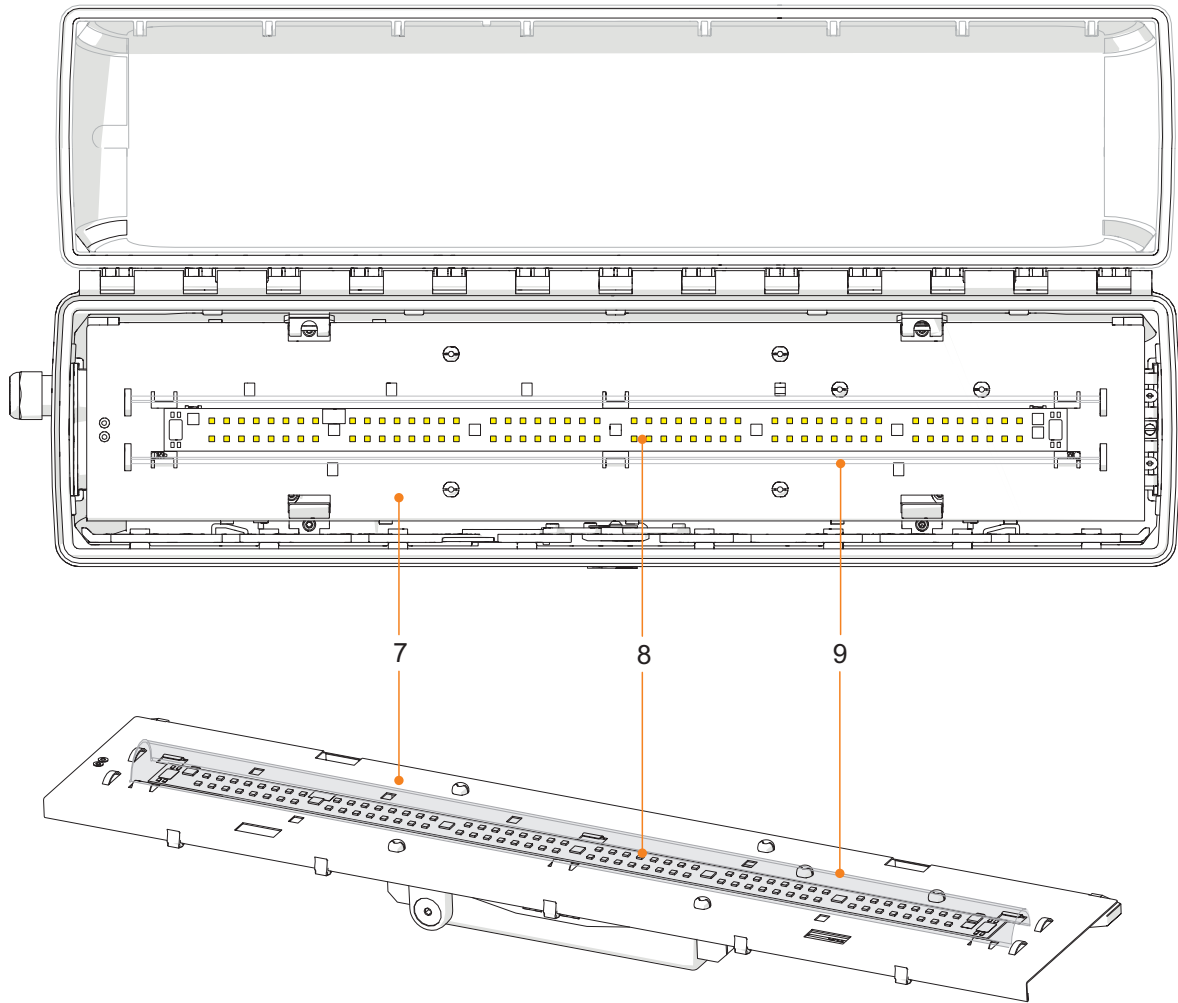
4.2 Device design

EN



20298E00

- | | | | |
|---|-------------------|---|---------------------|
| 1 | Translucent cover | 4 | Cable entry |
| 2 | Control gear | 5 | Connection terminal |
| 3 | Ex i module | 6 | Luminaire enclosure |



20299E00

- 7 Mounting plate
- 8 LED PCB

- 9 Diffuser

5 Technical data

Explosion Protection

Global (IECEX)

Gas and dust	IECEX IBE 14.0035 Ex db eb ib mb op is IIC T4 Gb Ex tb op is IIIC T100 °C Db
--------------	--

Europe (ATEX)

Gas and dust	IBExU 14 ATEX 1088 ⊕ II 2 G Ex db eb ib mb op is IIC T4 Gb ⊕ II 2 D Ex tb op is IIIC T100 °C Db
--------------	---

Certifications and certificates

Certificates	IECEX, ATEX
--------------	-------------

Technical Data

Electrical data

Rated operational voltage	Standard + DALI Size 2, Size 4	Standard + DALI Size 6	with address module Size 2, Size 4		
	100 to 240 V AC ±10 %, 50 to 60 Hz	110 to 240 V AC ±10 %, 50 to 60 Hz	220 to 240 V AC ±10 %, 50 Hz		
	110 to 250 V DC ±10 %	110 to 250 V DC ±10 %	194 to 250 V DC ±10 %		
Rated operational current		Size 2	Size 4	Size 6	
	230 V; 50 Hz	110 mA	190 mA	230 mA	
	110 V; 60 Hz	200 mA	400 mA	470 mA	
Inrush current	$I_{peak} = 51 \text{ A}; \Delta t = 127 \mu\text{s}$ maximum number of luminaires per miniature circuit breaker ¹⁾				
	Type	10 A	16 A	20 A	25 A
	B	12	19	24	31
	C	20	33	41	51
	K	41	66	82	103
Power factor		Size 2	Size 4	Size 6	
	230 V; 50 Hz	≥ 0.89	≥ 0.95	≥ 0.95	
	110 V; 60 Hz	≥ 0.98	≥ 0.99	≥ 0.99	
Protection class	I (with internal PE connection)				

Technical Data

Luminous characteristics

Standard

Light colour: Neutral white
 Colour temperature [K]: 5,000 K
 Colour rendering R_a : ≥ 80
 Application example: lighting of desktops

	6002/4.2.		6002/4.4.		6002/4.6.	
Size	2		4		6	
Power consumption [W]	22		42		50	
Diffuser	with	without	with	without	with	without
Luminous flux [lm]	2,910	3,230	5,810	6,460	6,960	7,720
Luminaire efficacy [lm/W]	132	147	138	154	139	154

Alternative

Light colour: Warm white
 Colour temperature [K]: 4,000 K
 Colour rendering R_a : ≥ 80
 Application example: lighting of desktops

Light colour: Cool white
 Colour temperature [K]: 6,500 K
 Colour rendering R_a : ≥ 80
 Application example: Lighting outside areas

For luminous flux and luminaire efficacy, see the table above

Yellow phosphorus converted

Light colour: Yellow
 Application example: no impact on animals in lighting

	6002/4.2.		6002/4.4.	
Size	2		4	
Power consumption [W]	19		36	
Diffuser	with	without	with	without
Luminous flux [lm]	2,180	2,420	4,360	4,840
Luminaire efficacy [lm/W]	115	127	121	134

Green

Light colour: Green
 Application example: eyewash stations, safety showers and in the offshore area and near ports

	6002/4.2.		6002/4.4.	
Size	2		4	
Power consumption [W]	18		35	
Diffuser	with	without	with	without
Luminous flux [lm]	2,110	2,340	4,240	4,710
Luminaire efficacy [lm/W]	117	130	121	135

Technical Data

Red

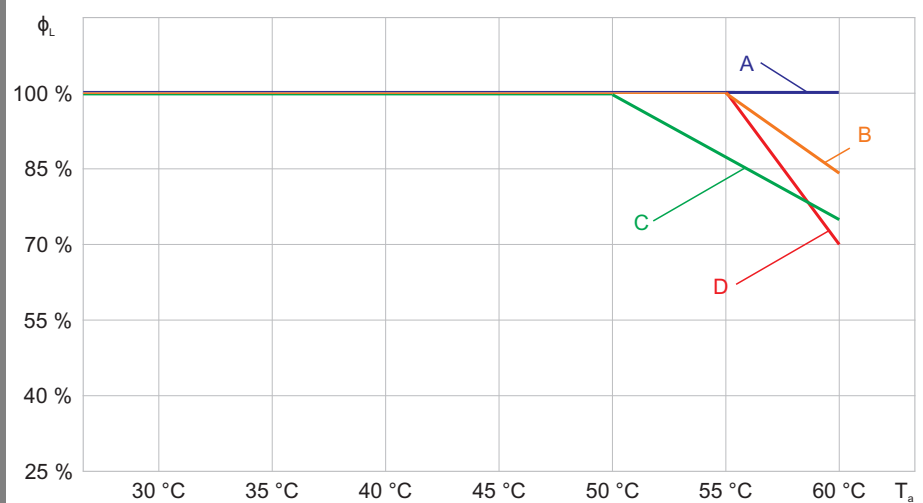
Light colour: Red
Application example: offshore area or near ports

6002/4.4.

Size	4	
Power consumption [W]	26	
Diffuser	with	without
Luminous flux [lm]	1,540	1,710
Luminaire efficacy [lm/W]	59	66

Luminous flux decline

- during DC operation to 50 % (standard)
- in DC operation without luminous flux decline (optional)
- at ambient temperature



- A: size 2; 110 to 230 V
- B: size 4; 230 V
- C: size 4 and size 6; 110 V
- D: size 6; 230 V

20339E00

Technical Data

Ambient conditions

Operating temperature range

Size 2, 4:

Variant: with or without DALI

Light colour: Neutral white, warm white, cool white, red and yellow phosphorus converted

without through wiring: -40 to +60 °C

I_N through wiring ≤ 10 A: -40 to +60 °C

I_N through wiring ≤ 16 A: -40 to +50 °C

Light colour: Green

without through wiring: -40 to +50 °C

I_N through wiring ≤ 10 A: -40 to +50 °C

I_N through wiring ≤ 16 A: -40 to +50 °C

Variant: with address module

Light colour: Neutral white, warm white, cool white, red and yellow phosphorus converted

without through wiring: -30 to +60 °C

I_N through wiring ≤ 10 A: -30 to +60 °C

I_N through wiring ≤ 16 A: -30 to +50 °C

Size 6:

Variant: with or without DALI

Light colour: Neutral white, warm white, cool white

without through wiring: -20 to +60 °C

I_N through wiring ≤ 10 A: -20 to +60 °C

I_N through wiring ≤ 16 A: -20 to +50 °C

Storage

-40 to +75 °C

Service life

LED

	Neutral white, warm white, cool white, red	Yellow phosphorus converted	Green
L ₉₀ B ₅₀	> 100,000 h	> 33,000 h	> 30,000 h

L_xB_y

At the end of the service life:

- Luminous flux decline to "x" percent
- Up to "y" percent of all luminaires fall below "x"

LED control gear

	Standard + DALI	with address module
C10 at 50 °C	≥ 100,000 h	≥ 50,000 h
C10 at 60 °C	≥ 50,000 h	≥ 50,000 h

Technical Data

Mechanical data

Degree of protection	Size 2, Size 4: IP66 / IP67 (IEC 60598) Size 6: IP66 (IEC 60598) Size 2, Size 4, Size 6: IP64 if a breather is used
Impact strength (IK code)	IK10 (IEC 62262)
Material	
Enclosure	Polyester resin, glass fibre-reinforced
Enclosure colours	colour grey, similar to RAL 7035
Lamp cover	Polycarbonate
Seal	Silicone foam gasket in the lamp cover
Luminaire locking	Central locking which can be opened/closed using a socket key M8 / wrench size 13; hinged lamp cover

Mounting / Installation

Cable glands	<p>Standard luminaire</p> <p>Plastic: 2 x M25 x 1.5 cable gland 8161 and 2 x M25 x 1.5 stopping plugs 8290 (enclosed)</p> <p>Metal: 2 x metal plates M20 x 1.5 connected by means of PE for metal cable entries Attention: cable entries must be ordered separately</p> <p>Special: max. 4 bores for M20, M25, NPSM 1/2" max. 2 bores for NPT 3/4"</p> <p>Metal cable glands: M20 x 1.5, M25 x 1.5; earthing of the metal cable entries by means of metal plates</p>
Connection	<p>Spring clamp terminals</p> <p>Standard: 5-pole: L1, L2, L3, N, PE with address module: 5-pole: L+, N-, PE, L', N' with DALI: 7-pole: L1, L2, L3, N, PE, D1, D2</p> <p>Clamping range: 1x 1.5 to 6 mm² (solid) 1x 1.5 to 4 mm² (finely stranded) 1x 1.5 to 6 mm² (finely stranded with core end sleeves) (2 free clamping units per pole available)</p>
Through wiring	<p>Standard luminaire with</p> <p>Luminaries are equipped with internal through wiring. Connection of ingoing and outgoing leads on opposite sites is possible. Terminals: See Tech. data Wiring cross section of the supply line connection: 2.5 mm² for max. 16 A (Observe service temperature)</p> <p>Optional without</p> <p>On the connection side, there are 2 bores M25 x 1.5 for cable entries for ingoing and outgoing wiring of the connection line (ingoing and outgoing leads on one side).</p>

Technical Data


<p>Assembly</p>	<p>Standard luminaire</p> <p>Standard: 2 x M8 insert nuts in the enclosure</p> <p>Special: Mounting grooves in the enclosure for use of fastening and ceiling rails for variable luminaire mounting (variable mounting distances for luminaires Size 2: 320 to 480 mm; Size 4, Size 6: 670 to 930 mm)</p>
<p>Optional</p> <p>DALI-connection</p> <p>Address module (Size 2, Size 4)</p> <p>Breather</p>	<p>DALI-interface in accordance with IEC 62386-207:2009-08 The maximum permissible voltage drop on the DALI conductor is defined with a maximum of 2 V. This corresponds with a maximum conductor length of 300 m, with a conductor cross-section of 1.5 mm².</p> <p>Control input: Rated voltage: 220 to 230 V 50 Hz AC / DC</p> <p>Function: Address and switch module for R. STAHL emergency lighting according to VDE 0108: The module is used for monitoring individual luminaires and for the control of mains and emergency luminaires. The module offers the following functionalities:</p> <ul style="list-style-type: none"> • Control of the luminaire (ON/OFF) and calling up the function • Up to 20 addresses per electrical circuit adjustable via software • The type of connection (continuous light, standby light or activation using a switch) of the luminaire is freely programmable • Mixed operation within a circuit possible <p>Breather 8162/1 from R.STAHL Schaltgeräte GmbH The breather guarantees compliance with degree of protection IP64 in all mounting positions. The breather may not be used in atmospheres with corrosive gasses.</p>

For further technical data, see r-stahl.com.

6 Transport and storage

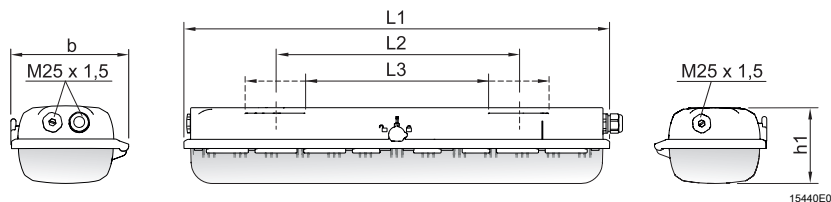
- Transport and store the device only in the original packaging.
- Store the device in a dry place (no condensation) and vibration-free.
- Do not drop the device.

7 Mounting and installation

	DANGER
	<p>Explosion hazard due to incorrect installation of the device! Non-compliance results in severe or fatal injuries.</p> <ul style="list-style-type: none"> • Carry out installation strictly according to the instructions and national safety and accident prevention regulations to maintain the explosion protection. • Select and install the electrical device so that explosion protection is not affected due to external influences, i.e. pressure conditions, chemical, mechanical, thermal and electric impact such as vibration, humidity and corrosion (see IEC/EN 60079-14). • The device must only be installed by trained qualified personnel who is familiar with the relevant standards.

7.1 Dimensions / fastening dimensions

Dimensional drawings (all dimensions in mm [inches]) – Subject to modification



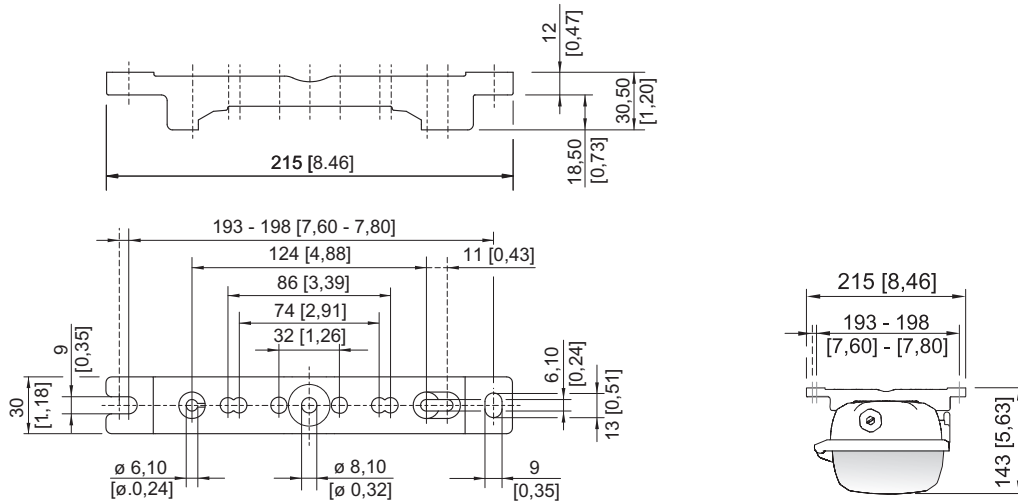
Dimen- sions	Luminaire		
	Size 2	Size 4	Size 6
L1	700 [27.56]	1310 [51.57]	1610 [63.39]
L2 ¹⁾	400 [15.75]	800 [31.50]	800 [31.50]
L3 ²⁾	320 to 480 [12.60 to 18.90]	670 to 930 [26.38 to 36.61]	670 to 930 [26.38 to 36.61]
b	184 [7.24]	184 [7.24]	184 [7.24]
h1	125 [4.92]	125 [4.92]	125 [4.92]

¹⁾ fixed mounting distance

²⁾ variable mounting distance

EXLUX 6002/4 standard luminaire

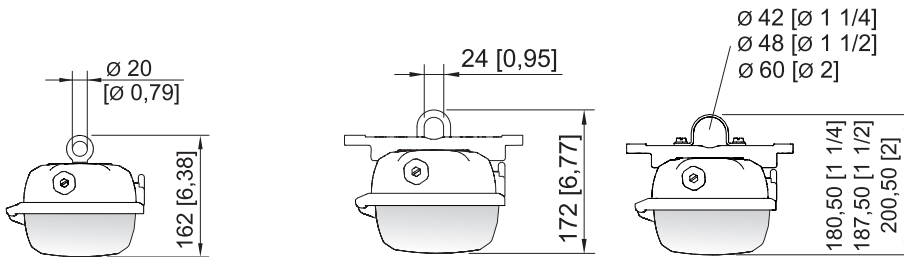
Dimensional drawings for assembly parts and accessories
(all dimensions in mm [inches]) – Subject to alterations



15778E00

15779E00

Mounting rail



15782E00

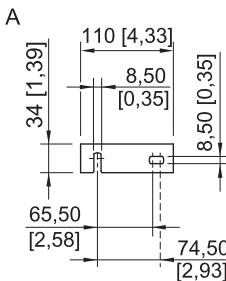
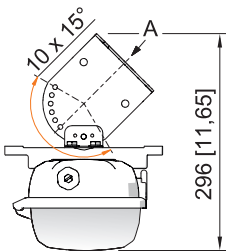
15781E00

15783E00

Ring bolt fitted in insert nut of the luminaire

Mounting bracket fitted in mounting rail

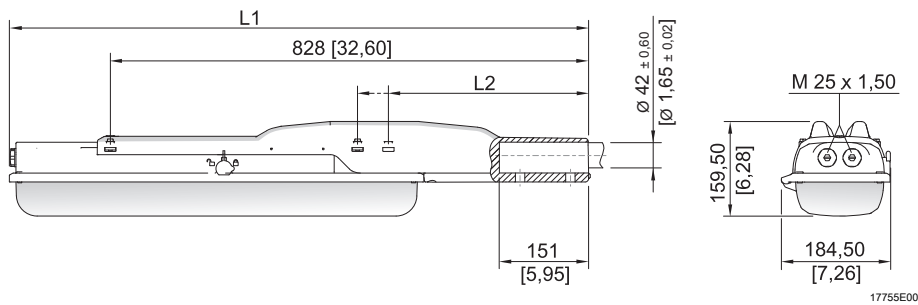
Pipe clamp fitted in mounting rail



15780E00

Wall mounting bracket fitted in mounting rail

Dimensional drawings for assembly parts and accessories
(all dimensions in mm [inches]) – Subject to alterations




Dimensions	Luminaire	
	Size 2	Size 4
L1	978 [38.50]	1587 [62.48]
L2	390 [15.35]	338 [13.31]

Linear luminaire EXLUX with pole mounting sleeve




7.2 Removing protective foil

As standard, the luminaire is generally delivered with protective foil on the translucent cover. However, in some cases, it can be delivered without protective foil.

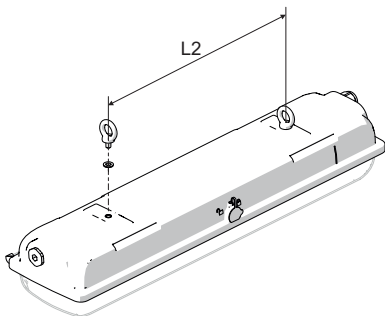
	DANGER
	<p>Explosion hazard due to electrostatic discharge! Non-compliance results in severe or fatal injuries.</p> <ul style="list-style-type: none"> • Only remove protective foil in safe areas.

- If protective foil is available:
Remove protective foil prior to commissioning.

7.3 Mounting / dismounting, operating position

	DANGER
	<p>Explosion hazard due to electrostatic discharge! Non-compliance results in severe or fatal injuries.</p> <p>Do not use the luminaire in strong charge generating environments!</p> <p>The following processes/activities should be avoided:</p> <ul style="list-style-type: none"> • accidental friction • particle currents
	DANGER
	<p>Explosion hazard due to inadmissible heating! Non-compliance results in severe or fatal injuries.</p> <ul style="list-style-type: none"> • Avoid external heat sources and/or direct sunlight (risk of change of temperature class or change of maximum permissible surface temperature). • Do not exceed the maximum ambient temperature due to external heat sources (premature failure of equipment).
	<p>The luminaire is suitable for wall and ceiling mounting. In event of wall mounting in outdoor areas, avoid installation with central lock at top. The mounting position with upward light emission in outdoor areas is prohibited.</p>

Suspension at fixed mounting points

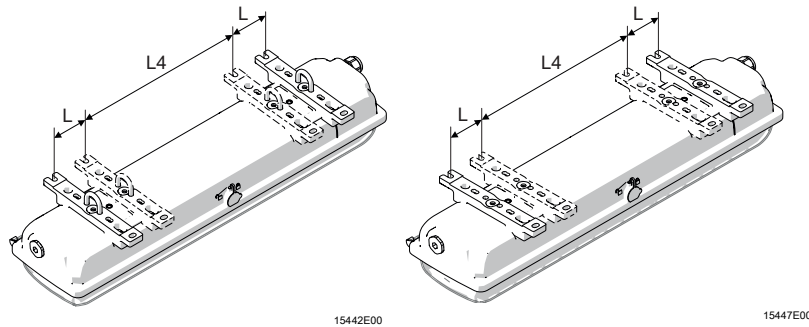


Size	L2 mm [inch]
2	400 [15.75]
4	800 [31.50]
6	800 [31.50]

max. screw-in depth 10 mm [0.39]

15446E00

Suspension at movable mounting parts

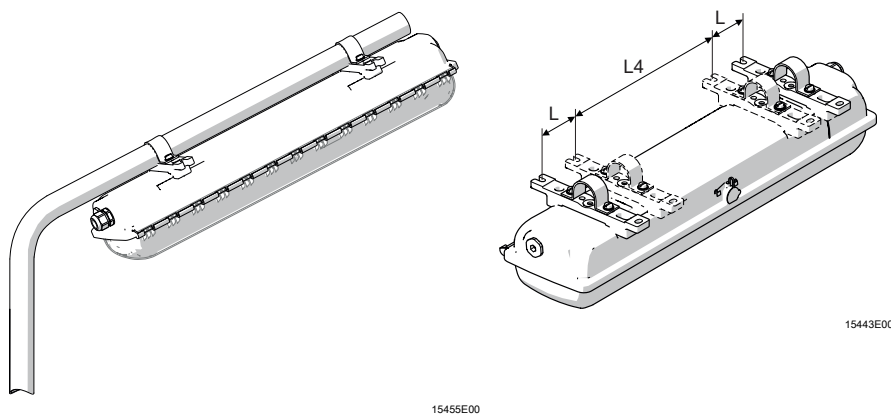


	Mounting bracket	Top rail
Size	L4 mm [inch]	L mm [inch]
2	320 [12.60]	80 [3.15]
4	670 [26.38]	130 [5.12]
6	670 [26.38]	130 [5.12]

Lateral mounting pockets for variable points of suspension.

i	<p>When mounting the luminaire using top rails, ensure that the mounting surface is flat. Otherwise, the enclosure might be mounted in a warped/ twisted way. The result is leakage of the luminaire and difficulties in replacing the translucent cover.</p>
----------	---

Pole suspension Pole mounting using pipe clamps

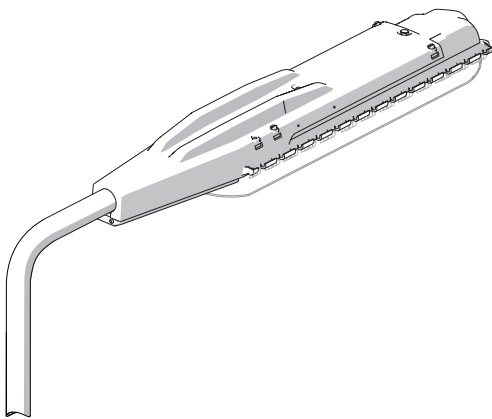


Size	L4 mm [inch]	L mm [inch]
2	320 [12.60]	80 [3.15]
4	670 [26.38]	130 [5.12]
6	670 [26.38]	130 [5.12]

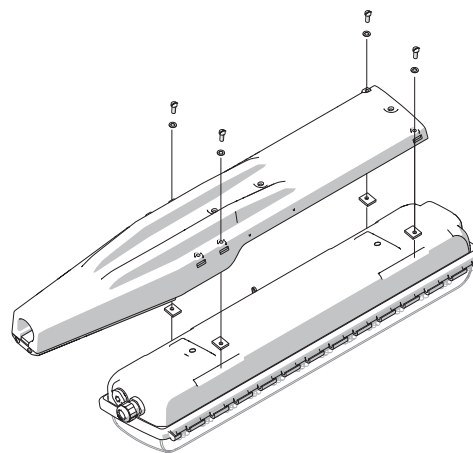
i For pipe clamp mounting, use the solution of R. STAHL Schaltgeräte GmbH with integrated mounting rail providing reliable and stable four-point fixing! In case of point suspension using pipe clamps, R. STAHL Schaltgeräte GmbH does not guarantee the strength and tightness of the luminaire!

Pole mounting using pole mounting sleeve

i Only for size 2 and size 4

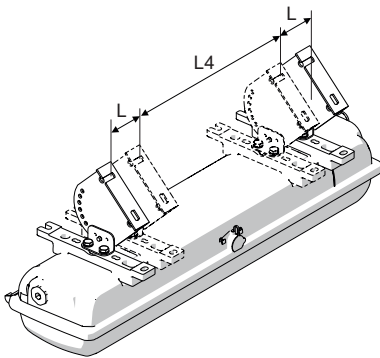


17761E00

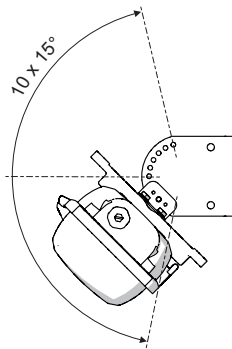


17762E00

Wall bracket mounting



15515E00




15517E00


Size	L4 mm [inch]	L mm [inch]
2	320 [12.60]	80 [3.15]
4	670 [26.38]	130 [5.12]
6	670 [26.38]	130 [5.12]

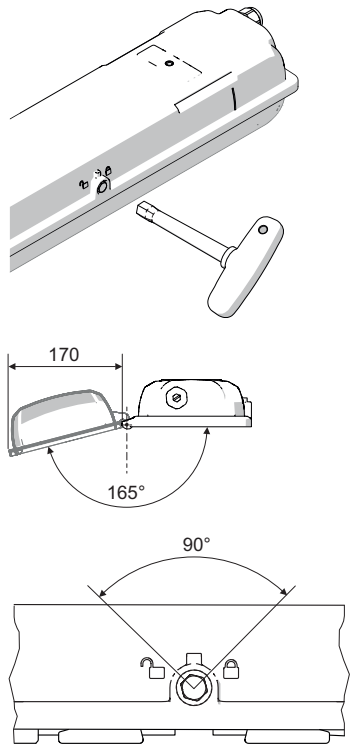
7.4 Installation

7.4.1 Opening and Closing of the Enclosure

	DANGER
	<p>Risk of electric shock due to improper opening! Non-compliance results in severe or fatal injuries.</p> <ul style="list-style-type: none"> • Open luminaires without switch only in de-energized state (see information plate on the lock)!

NOTICE
<p>Danger due to electrostatic discharge. Electronic components can be destroyed if touched.</p> <ul style="list-style-type: none"> • Do not touch the LED-PCBs!

	<p>Recommendation Opening and closing of the luminaire by using a socket wrench from R. STAHL Schaltgeräte GmbH.</p>
---	---

 <p style="font-size: 0.8em; margin-top: 10px;">15448E00</p> <p style="font-size: 0.8em; margin-top: 10px;">15451E00</p> <p style="font-size: 0.8em; margin-top: 10px;">15438E00</p>	<ul style="list-style-type: none"> • Remove the closing cap of the central lock. • Turn the central lock using a box spanner M8, spanner size 13, by 90° to the left as far as it will go. • Swivel down the translucent cover. • Proceed in reverse order to close. • The seal of the translucent cover must lie correctly on the sealing edge. • Push the closing cap onto the central lock opening (protection against dirt).
--	--

i	<p>Observe the following during mounting and dismantling:</p> <ul style="list-style-type: none"> • Version without switch: Disconnect the luminaire from the power supply and secure it against being switched on again. • Do not use force when opening or closing the enclosure. <p>Central lock</p> <ul style="list-style-type: none"> • Version with switch: The luminaire is positively disconnected from the power supply by actuating the central lock. • In open end position and with translucent cover swivelled down, an anti-pumping device prevents the central lock from being actuated.
----------	--

Opening and closing the reflector plate

	<p>Opening:</p> <ul style="list-style-type: none"> • Open the reflector plate by pressing down on the safety latch (1). • Swivel down the reflector plate (2). <p>Closing:</p> <ul style="list-style-type: none"> • Flip up the reflector plate and snap it into place.
--	--

7.4.2 Electrical connections

Electrical connection

Observe the maximum clamping possibility of the connection terminals (see "Technical data" section).

Observe the following when connecting to the electrical connection:

- Clamping must be carried out precisely.
- Do not clamp any part of the conductor insulation.
- Do not mix up the conductors.
- Observe the technical regulations when connecting the conductor.
- Clamp the conductor firmly.

Connection terminals

Clamping range:

1 x 1.5 to 6 mm² (solid)

1 x 1.5 to 4 mm² (finely stranded)

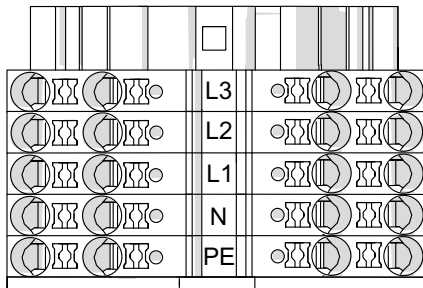
1 x 1.5 to 6 mm² (finely stranded with core end sleeves)

(2 free clamping units per pole available)

Stripping length:

10 to 12 mm

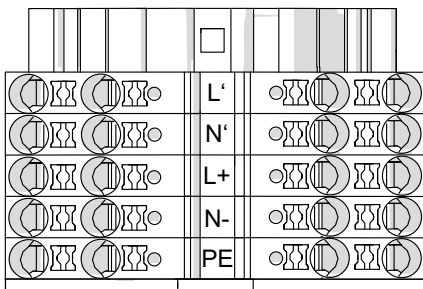
Standard:



L1, L2, L3 = phase
 N = neutral conductor
 PE = protective conductor

20219E00

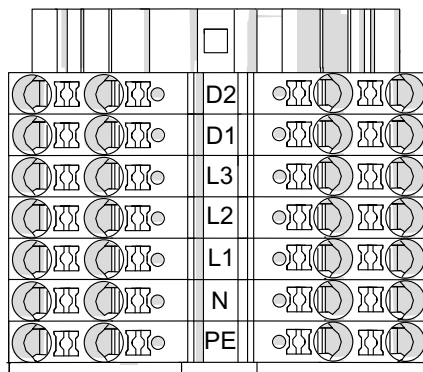
with address module:



L', N' = control input
 L+, N- = final electrical circuit
 PE = protective conductor

20220E00

with DALI connection:



D1, D2 = DALI connection
 L1, L2, L3 = phase
 N = neutral conductor
 PE = protective conductor

20221E00

Through wiring of the mains supply connection

i	Through wiring with 2.5 mm ² cross section for max. 16 A.
----------	--

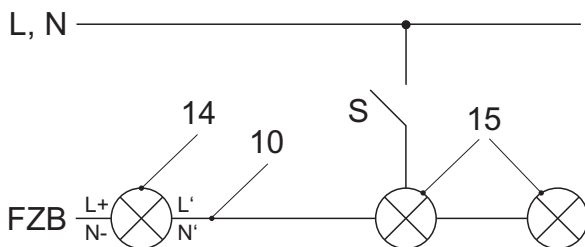
7.4.3 Luminaires with address module

The address module is integrated into the control gear. Each control gear with an integrated address module has a unique serial number. This serial number is right on the control gear and can also be recorded with a QR code scanner. The luminaire address is assigned using the configuration software for the central battery unit or with a programming device available as an accessory.

i	<p>There are four removable labels with the serial number on the control gear (1x label for the control gear, 1x label for the exterior luminaire, 2x for customer documents).</p> <p>During the installation, write down the location and position of the luminaire and the serial number. This simplifies configuration of the central battery unit. Further information on configuration can be found in the software description and the central battery unit manual.</p>
----------	---

Control input (L', N'):

The address module provides the opportunity to connect a control line for switching the luminaire together with the general lighting.



19025E00

- | | | | |
|------|-------------------------|----|--------------------|
| L, N | Power supply network | 10 | Control line |
| FZB | Battery system | 14 | Emergency lighting |
| S | General lighting switch | 15 | General lighting |

7.4.4 Cable entries

The standard luminaire is delivered with 3 lead-in holes, 2 cable glands and 2 stopping plug.


Tightening torques for components from R. STAHL Schaltgeräte GmbH

Luminaires with installed cable entries and stopping plugs from

R. STAHL Schaltgeräte GmbH must be tightened using the following values:

		Tightening torque	
		Connection thread	Pressure screw
Cable entry 8161	M20 x 1.5	2.3 Nm	1.5 Nm
	M25 x 1.5	3.0 Nm	2.0 Nm
Stopping plugs 8290	M20 x 1.5	1.0 Nm	–
	M25 x 1.5	1.5 Nm	–


Luminaires with cable entries and stopping plugs which are not supplied by R. STAHL Schaltgeräte GmbH

DANGER	
	<p>Explosion hazard due to impermissible cable entries and stopping plugs! Non-compliance results in severe or fatal injuries.</p> <ul style="list-style-type: none"> Only use separately certified cable glands and stopping plugs which have been tested and certified according to Directive 2014/34/EU (ATEX) or IECEx (CoC) and which comply with the standard version stated in the certificate of the luminaire.

Please observe the following:

- the required dust resistance!
- the required type of protection!
- the required temperature resistance!
- the IP degree of protection according to the rating plate!
- the operating instructions of the cable entries and stopping plugs!
- the required tightening torques!
- the range of the permissible cable diameter!
- Insert the metal cable entries and/or stopping plugs into the PE!


8 Commissioning

	DANGER
	<p>Explosion hazard due to incorrect installation! Non-compliance results in severe or fatal injuries.</p> <ul style="list-style-type: none"> • Check the device for proper installation before commissioning. • Comply with national regulations.
NOTICE	
<p>Malfunction or device damage caused by condensation. Non-compliance can result in material damage!</p> <ul style="list-style-type: none"> • operate the luminaire continuously or periodically over extended periods of time. • avoid thermal bridges. 	

Before commissioning, ensure the following:



- Check the mounting and installation.
- Inspect enclosure for damage.
- If necessary, remove foreign bodies.
- If necessary, clean the connection chamber.
- Check if the conductors have been inserted correctly.
- Check if all screws and nuts have been tightened firmly.
- Check if all drilled holes are closed.
- Check whether all the cable entries and stopping plugs have been tightened firmly.
- Check if all conductors have been clamped firmly.
- Check if the line voltage and the rated operational voltage are consistent.
- Check if the permissible conductor diameter for the corresponding cable entries have been used.
- Check if the device is closed according to regulations.
- If necessary remove transport protection (foam cushion).
- the LED assembly and the diffusor are clean.
- Check that there is no protective foil on the translucent cover.

9 Maintenance, Overhaul, Repair

	CAUTION
	<p>Risk of electric shock or malfunction of the device due to unauthorized work! Non-compliance can result in light injuries!</p> <ul style="list-style-type: none"> • Before carrying out work on the device, switch off voltage supply. • Work performed on the device must only be carried out by authorized and appropriately trained qualified electricians.

9.1 Maintenance


- Consult the relevant national regulations to determine the type and extent of inspections.
- Adapt inspection intervals to the operating conditions.
- Perform maintenance and repair work in accordance with IEC 60079-17 and IEC 60079-19.

	CAUTION
	<p>Danger of electric shock due to energised parts! Non-compliance can result in minor injuries!</p> <ul style="list-style-type: none"> • All connections must be disconnected from the power supply. • Secure the connections against unauthorized switching.
	Observe the relevant national regulations in the country of use.

As a minimum, check the following points during maintenance work on the device:

- Whether the clamping screws holding the cables are securely seated
- Whether the device enclosure and/or protective enclosure have cracks or other visible signs of damage
- Whether the seal shows signs of ageing or damage (completely replace enclosure components with damaged foamed seal)
- Whether the device is clean inside and out
- Whether the permissible temperatures (in accordance with EN 60079) are complied with
- Whether the cable entry is intact and securely tightened
- Whether the cables and lines show signs of ageing and damage
- Intended use and function.

9.2 Repair

	DANGER
	<p>Explosion hazard due to improper repair! Non-compliance results in severe or fatal injuries.</p> <ul style="list-style-type: none"> • Only perform repairs on the device using original spare parts from R. STAHL Schaltgeräte GmbH, taking the associated installation instructions into account.

Repairs carried out on the mounting plate are not permitted. Replace the mounting plate completely in case of malfunction.

9.3 Returning the device

- Only return or package the devices after consulting R. STAHL!
Contact the responsible representative from R. STAHL.

R. STAHL's customer service is available to handle returns if repair or service is required.

- Contact customer service personally.

or

- Go to the r-stahl.com website.
- Under "Support" > "RMA" > select "RMA-REQUEST".
- Fill out the form and send it.
You will automatically receive an RMA form via email. Please print this file off.
- Send the device along with the RMA form in the packaging to
R. STAHL Schaltgeräte GmbH (refer to chapter 1.1 for the address).

10 Cleaning

- To avoid electrostatic charging, the devices located in potentially explosive areas may only be cleaned using a damp cloth.
- When cleaning with a damp cloth, use water or mild, non-abrasive, non-scratching cleaning agents.
- Do not use aggressive detergents or solvents.
- Never clean the device with a strong water jet, e.g. using a high-pressure washer!

11 Disposal

- Observe national and local regulations and statutory regulation regarding disposal.
- Separate materials when sending it for recycling.
- Ensure environmentally friendly disposal of all components according to the statutory regulations.

12 Accessories and Spare parts

NOTICE

Malfunction or damage to the device due to the use of non-original components.
Non-compliance can result in material damage.

- Use only original accessories and spare parts from R. STAHL Schaltgeräte GmbH.



For accessories and spare parts, see data sheet on our homepage r-stahl.com.

EU-Konformitätserklärung
EU Declaration of Conformity
Déclaration de Conformité UE





R. STAHL Schaltgeräte GmbH • Am Bahnhof 30 • 74638 Waldenburg, Germany
 erklärt in alleiniger Verantwortung, *declares in its sole responsibility, déclare sous sa seule responsabilité,*

dass das Produkt: LED Langfeldleuchte
that the product: LED Linear Luminaire
que le produit: LED Luminaire Linéaire

Typ(en), type(s), type(s): 6002/4.

mit den Anforderungen der folgenden Richtlinien und Normen übereinstimmt.
is in conformity with the requirements of the following directives and standards.
est conforme aux exigences des directives et des normes suivantes.

Richtlinie(n) / Directive(s) / Directive(s)		Norm(en) / Standard(s) / Norme(s)
2014/34/EU 2014/34/EU 2014/34/UE	ATEX-Richtlinie ATEX Directive Directive ATEX	EN IEC 60079-0:2018 EN 60079-1:2014 EN IEC 60079-7:2015/A1: 2018 EN 60079-11:2012 EN 60079-18:2015 EN 60079-28:2015 EN 60079-31:2014
Kennzeichnung, marking, marquage:		 II 2 G Ex db eb ib mb op is IIC T4 Gb II 2 D Ex tb op is IIIC T 100°C Db 
EU-Baumusterprüfbescheinigung: <i>EU Type Examination Certificate:</i> <i>Attestation d'examen UE de type:</i>		IBExU 14 ATEX 1088 (IBExU Institut für Sicherheitstechnik GmbH Fuchsmühlenweg 7, 09599 Freiberg, Germany)
Produktnormen nach Niederspannungsrichtlinie: <i>Product standards according to Low Voltage Directive:</i> <i>Normes des produit pour la Directive Basse Tension:</i>		EN 60598-1:2015/A1:2018 EN 60598-2-22:2014/AC:2016 EN 62471:2008
2014/30/EU 2014/30/EU 2014/30/UE	EMV-Richtlinie EMC Directive Directive CEM	EN 61547:2009 EN 55015:2013 + A1:2015 EN 61000-3-2:2014 EN 61000-3-3:2013
2011/65/EU 2011/65/EU 2011/65/UE	RoHS-Richtlinie RoHS Directive Directive RoHS	EN 50581:2012

Waldenburg, 2020-01-30

Ort und Datum
Place and date
Lieu et date

i.V.


Dr. A. Kaufmann
Senior Vice President Marketing & Innovation
Vice-président directeur Marketing & Innovation

i.V.


J. Freimüller
Vice President Quality Management
Directeur Assurance de Qualité