

# Electric Heater Series E 150

## 1 Application

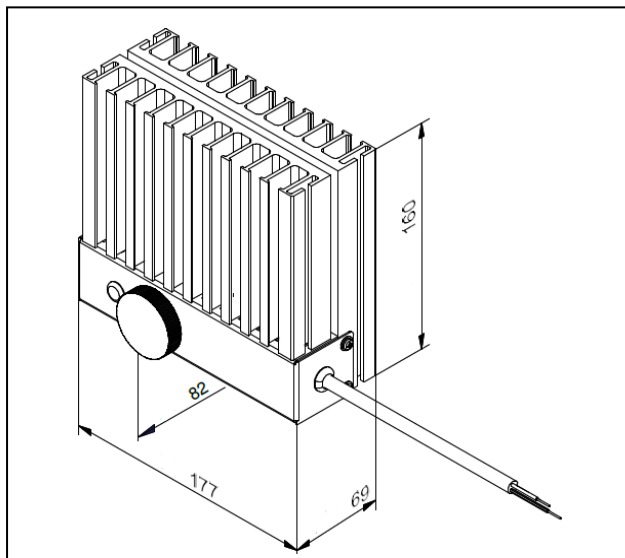
Heating of instrument enclosures, protective cabinets and switchgear cabinets if explosion protection and complete sealing are not required. For

- \* Freeze protection
- \* Protection against condensation
- \* Temperature maintenance.

## 2 Special Features

- \* High heat transfer capabilities due to the unique design of the black anodized aluminium fins
- \* Built-in adjustable thermostat

## 3 Dimensions



## 4 Control of Heat Tracing Cable

The thermostat of the Type E 155, E 158 and E 159 heaters is designed to simultaneously regulate the temperature of a heat tracing cable Type K .. of 3 to 10 double meters of length connected in series.

## 5 Technical Data

	E 155	E 156	E 158	E 159	E 160
Nominal power	500 W	250 W	500 W	500 W	260 W
Nominal voltage	230 V AC	230 V AC	250 V AC	120 V AC	120 V AC
Adjustment Range	5...45°C				
Degree of Protection	IP30				
Weight	1,7 kg				



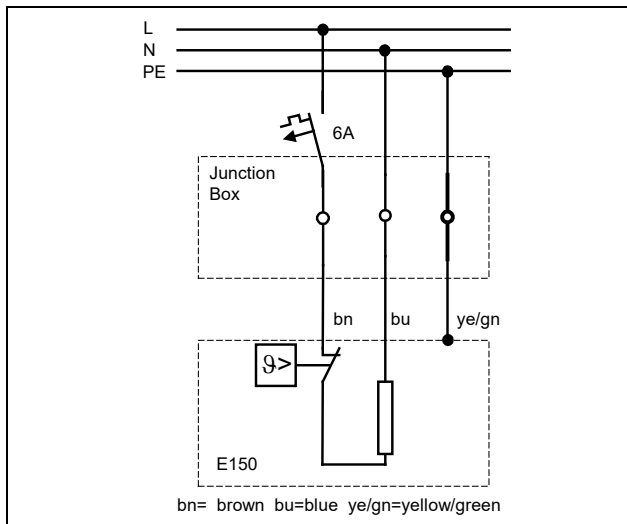
## 6 Description

The convection heater consists of a reliable tubular heating element which is "sandwiched" between two extruded black anodized profiles of seawater-proof aluminium alloy. The thermostat housing is at the bottom of the heater. There is an adjustable thermostat and a control lamp in the air intake, which shows when the heater is on.

For applications with more exacting requirements regarding sealing (e.g. humid ambient conditions) use INTERTEC heaters (protection degree IP68).

# Electric Heater Series E 150

## 7 Wiring Diagramm

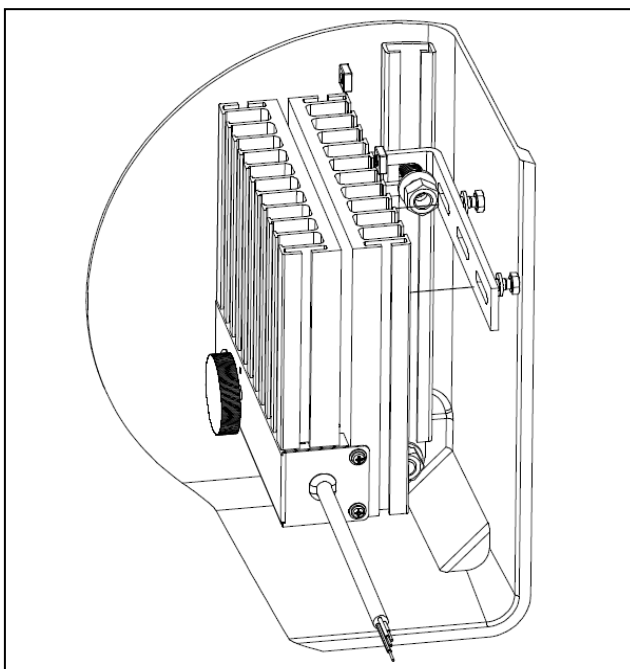


## 8 Installation

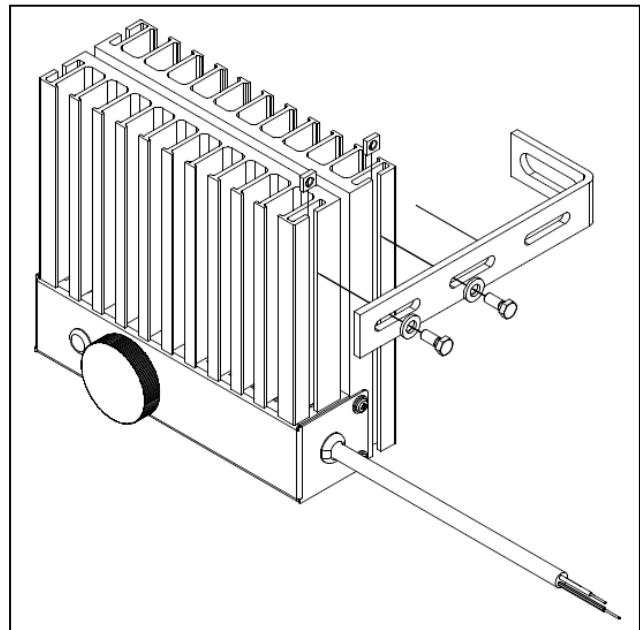
The heater has to be installed with the fins vertical. In order to allow free air convection, a space of 100 mm above and 50 mm beneath the heater should remain clear.

The mounting bracket can be installed by sliding the nuts on any fin of the vertical sides of the heater. We recommend to loosely assemble the sliding nuts to the mounting bracket first and then insert them in the desired fins.

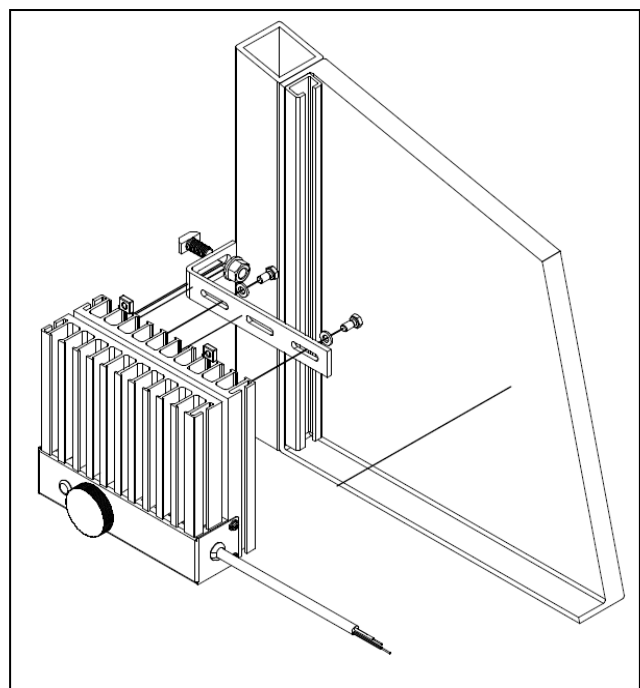
### 8.1 Attached to the Mounting Rail in the INTERTEC Instrument Enclosure



### 8.2 Attached to a Mounting Plate



### 8.3 Attached to the C-Rail of an INTERTEC Protective Cabinet



The mounting bracket and all shown bolts and nuts are supplied with the heater.