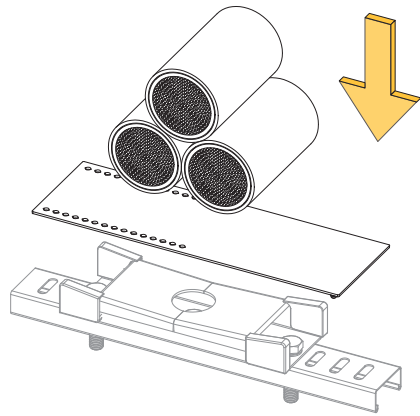
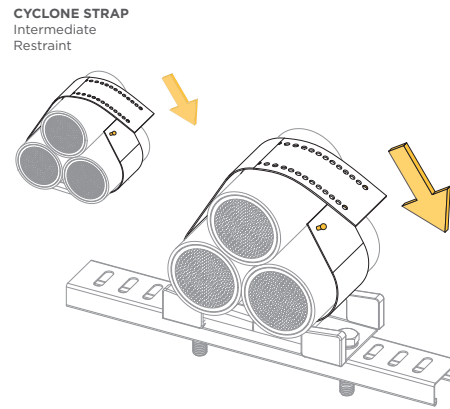


CENTRAL x 1
OR
OUTER x 2*

- FOR CYCLONE I, II, III START AT STEP 1
- FOR CYCLONE STRAP START AT STEP 3

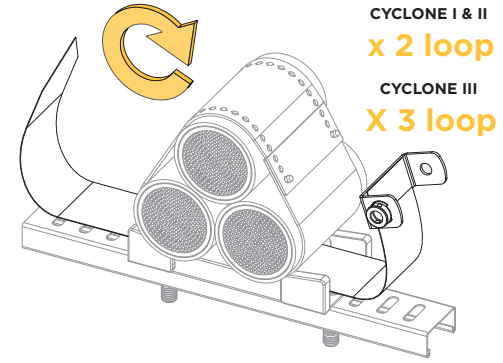


2. PLACE LINER AND CABLES ON BASE



CYCLONE STRAP
Intermediate
Restraint

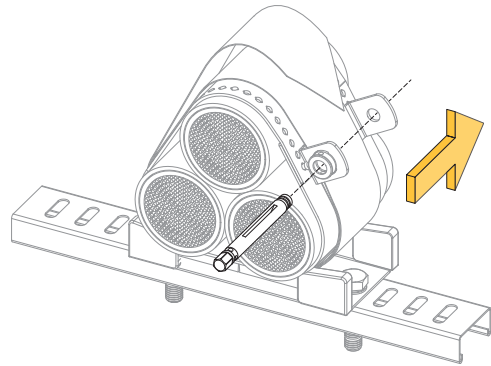
3. WRAP AND CLIP LINER AS TIGHT AS POSSIBLE



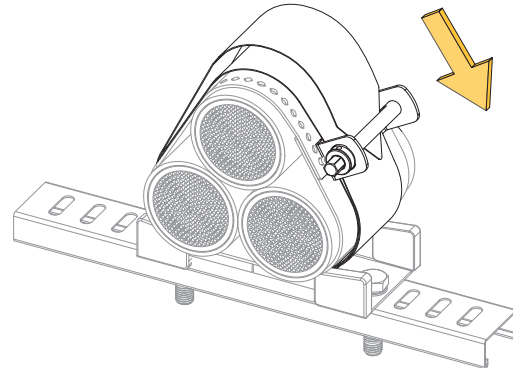
CYCLONE I & II
x 2 loop
CYCLONE III
x 3 loop

- FOR CYCLONE STRAP LOOP AROUND CABLES

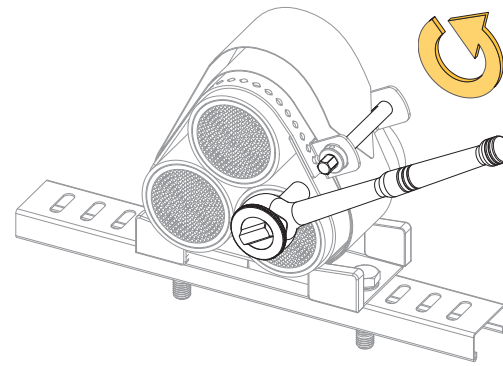
1. FIX BASE TO MOUNT SURFACE



5. INSERT WINDING KEY

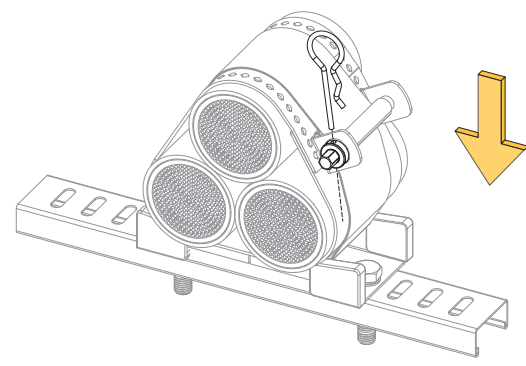


6. FEED STRAP THROUGH WINDING KEY



SUGGESTED TORQUE 10 N/m

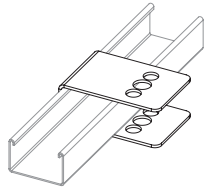
7. TIGHTEN KEY UNTIL ALL CABLES ARE FIRMLY RESTRAINED



8. ALIGN HOLES AND INSERT SPRING CLIP

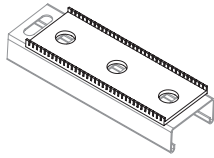
ACCESSORIES

C-clamp



For use with un-slotted rungs.

Separation Pad



Prevent galvanic corrosion between two dissimilar metals.

Contact **CMP** for more information regarding accessories and substrates.

PPE



CAUTION: We strongly recommend wearing suitable PPE including anti cut gloves.

Please refer to local PPE regulations.

Cable Cleat Specification

Name	Type	Base Material	Strap Material	Certification	Size Range	Temp Range	Liner Type	Bolt(s)*
I	LDSTR 2 LOOP	Aluminium	Stainless Steel	IEC 61914	○ 36 - 118 mm in 8 sizes	-50°C to +40°C with LSF liner	Low Smoke & Fume (LSF) & Phosphorus Free Polymer	2 x Outer M10
II	SDSTR 2 LOOP	Stainless Steel			○ ○ ○ 24 - 145 mm in 15 sizes			or
III	HDSTR 3 LOOP	Stainless Steel			○ ○ ○ 21 - 68 mm in 8 sizes	-50°C to +90°C with HT liner	V0 Flame Retardant Polymer (HT)	1 x Central M12

All products are short-circuit tested. Please visit www.cmp-products.com for further details.

Note: Fixings not included. For more information on fixings please visit www.cmp-products.com and download the Cleat Fixing Pack data sheet. Any other queries please contact CMP via email customerservices@cmp-products.com.

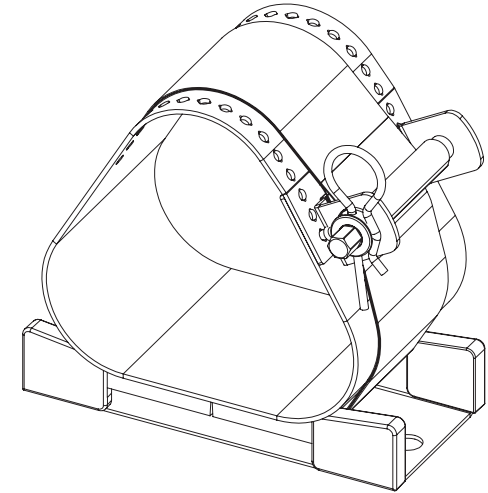
There are no restrictions on the mounting orientation of the cleats.

* The number of bolts used is based on individual site specification.

STRAP CABLE CLEATS

CYCLONE I LDSTR 2 LOOP
CYCLONE II SDSTR 2 LOOP
CYCLONE III HDSTR 3 LOOP

CYCLONE 2 STR INT RESTRAINT
CYCLONE 3 STR INT RESTRAINT



www.cmp-products.com

Tel: +44 (0) 191 265 7411

Fax: +44 (0) 1670 715 646

E-mail: customerservices@cmp-products.com

© Copyright CMP Products Limited 2017. All rights reserved.

FI545 REV 2 10/20



**CLEAT FITTING
INSTRUCTIONS**