

717 INDUSTRIAL



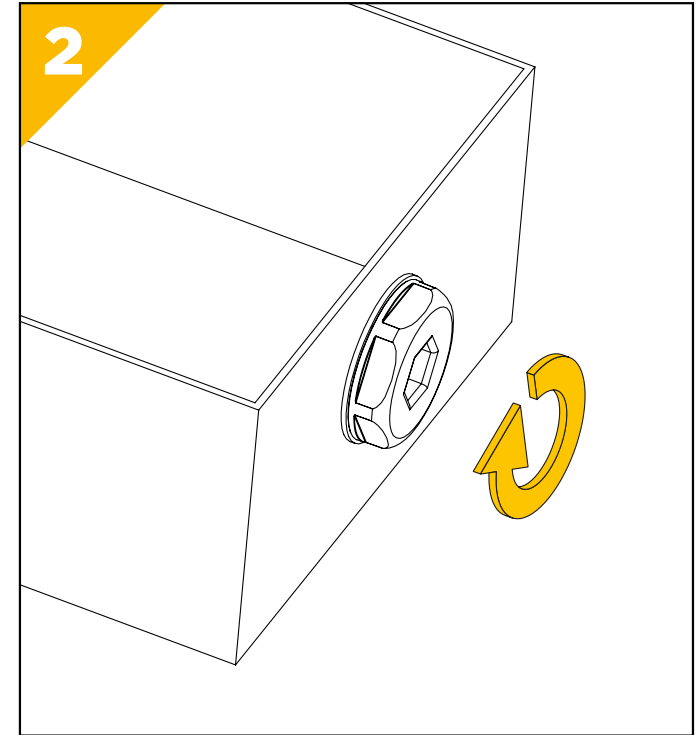
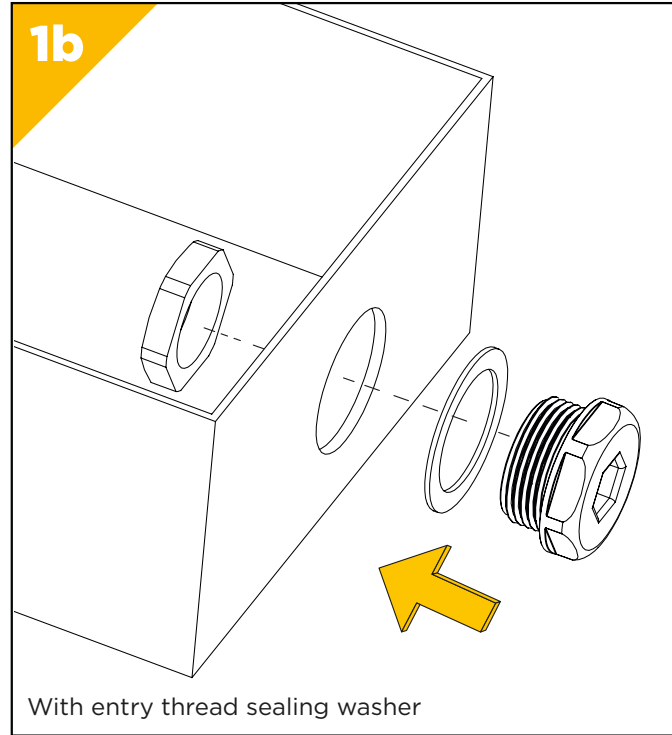
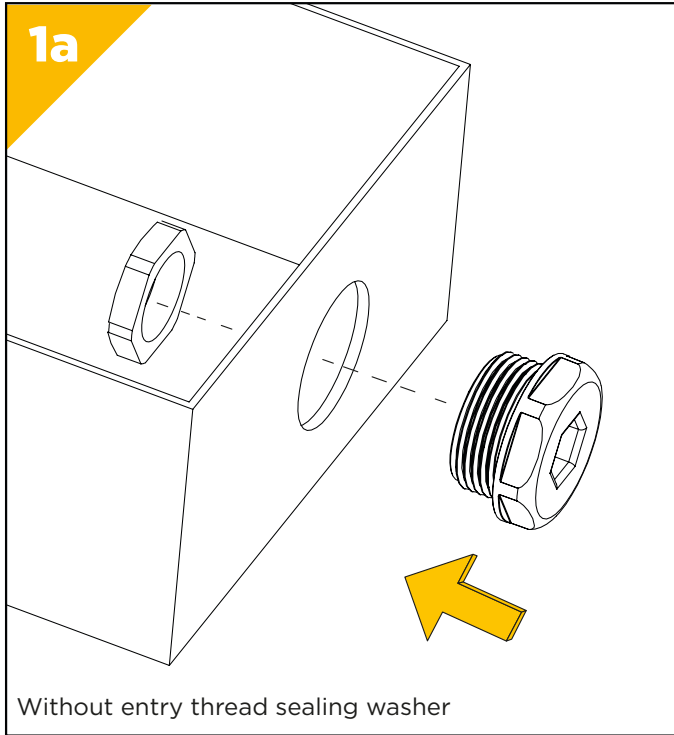
+105°C
↑
-60°C

IP66

IP67

IP68

IP69K



Stopper Plug Size	Entry Thread Lengths (mm)	Max Clearance Hole Size (mm)	Tightening Torque - With Entry Thread Seal (Nm)	Tightening Torque - Without Entry Thread Seal (Nm)	Hex Size (mm)	Allen Key Size (mm)
M20	10	20.2	2.0	4.0	24	8
M25	10	25.2	5.0	8.0	28	10
M32	10	32.3	9.0	13.0	38	10
½" NPT	14	21.6	2.0	4.0	24	8
¾" NPT	14	26.9	5.0	8.0	28	10
1" NPT	14	33.7	9.0	13.0	38	10

INGRESS PROTECTION

WITH ENTRY THREAD SEAL - IP66, IP67, IP68 (30M, 16 HRS), IP69, IP69K
WITHOUT ENTRY THREAD SEAL - IP66, IP67, IP68 (1.1M, 5 DAYS), IP69, IP69K