



- Lamp: Flashing beacon – XENON (5 J)/continuous beacon – LED
- Type of protection: Ex d with Ex e connection chamber
- Class: IP66 (IEC 60529)
- Robust aluminium enclosure (powder-coated)
- 6 lens colours available to order

E5

WebCode **6161A**



**Product series 6161** can be used as a signal lamp or warning lamp, in areas with an explosive gas atmosphere or explosive dust atmosphere.

	IECEX / ATEX					
Zone	0	1	2	20	21	22
Installation in		•	•		•	•

Selection Table						
Lamp	Flash tubes					
Rated operational voltage AC	Rated operational voltage DC	Lens colour	Product Type	Art. No.	Weight kg	
24 – 42 V	12 – 48 V	Yellow	6161/2-61-121-0	120674	1.400	
		Clear	6161/2-61-221-0	219802	1.400	
		Red	6161/2-61-321-0	120668	1.400	
		Blue	6161/2-61-421-0	219803	1.400	
		Green	6161/2-61-521-0	263357	1.400	
		Amber	6161/2-61-621-0	120680	1.400	
42 – 48 V	60 – 80 V	Clear	6161/2-41-221-0	219814	1.400	
		Red	6161/2-41-321-0	219815	1.400	
		Blue	6161/2-41-421-0	219816	1.400	
		Green	6161/2-41-521-0	219819	1.400	
		Amber	6161/2-41-621-0	219817	1.400	
110 – 127 V	–	Yellow	6161/2-31-121-0	219805	1.400	
		Clear	6161/2-31-221-0	219806	1.400	
		Red	6161/2-31-321-0	219807	1.400	
		Blue	6161/2-31-421-0	219808	1.400	
		Green	6161/2-31-521-0	219810	1.400	
		Amber	6161/2-31-621-0	219809	1.400	
230 V	–	Yellow	6161/2-11-121-0	120648	1.300	
		Clear	6161/2-11-221-0	219249	1.400	
		Red	6161/2-11-321-0	120655	1.400	

Selection Table					
Lamp		Flash tubes			
Rated operational voltage AC	Rated operational voltage DC	Lens colour	Product Type	Art. No.	Weight kg
Blue	6161/2-11-421-0	219250			1.400
Green	6161/2-11-521-0	219801			1.400
Amber	6161/2-11-621-0	120662			1.400
Lamp		LED			
Rated operational voltage AC	Rated operational voltage DC	Lens colour	Product Type	Art. No.	Weight kg
24 V	24 V	Yellow	6161/3-70-121-0	219845	1.400
		Clear	6161/3-70-221-0	219846	1.400
		Red	6161/3-70-321-0	219847	1.400
		Blue	6161/3-70-421-0	219848	1.400
		Green	6161/3-70-521-0	219850	1.400
		Amber	6161/3-70-621-0	219849	1.400
230 V	-	Yellow	6161/3-10-121-0	219822	1.400
		Clear	6161/3-10-221-0	219828	1.400
		Red	6161/3-10-321-0	219831	1.400
		Blue	6161/3-10-421-0	219832	1.400
		Green	6161/3-10-521-0	219844	1.400
		Amber	6161/3-10-621-0	219842	1.400

Technical Data	
<b>Explosion Protection</b>	
Ambient temperature °C	-40 ... +40 °C
IECEX gas explosion protection	Ex de IIC T6/T5 Gb
IECEX dust explosion protection	Ex tb IIIC T85 °C ... T100 °C Db
ATEX gas explosion protection	Ⓔ II 2 G Ex de IIC T6/T5 Gb
ATEX dust explosion protection	Ⓔ II 2 D Ex tb IIIC T85 °C ... T100 °C Db
EAC gas explosion protection	Ⓔ 1 Ex d e IIC T6...T5 Gb X
EAC dust explosion protection	Ⓔ Ex tb IIIC T65 °C...T100 °C Db X
Certificates	ATEX (LCI), China (CQST), EAC (TehnoP), IECEX (LCI), India (PESO), Korea (KTL)
Ship approval	DNVGL
<b>Electrical Data</b>	
Back-up fuse	4 AT
<b>Mechanical Data</b>	
Degree of protection IP (IEC 60529)	IP66
Enclosure material	Aluminium, powder-coated, Seawater-resistant
Enclosure colour	Yellow / black, powder-coated
Sealing material	NBR O-ring seal
Material dome	Polycarbonate (Lexan) Prismatic
Terminal marking	PE + N + L1
Connection terminals solid max.	4 mm <sup>2</sup>
Connection terminals finely-stranded max.	2.5 mm <sup>2</sup>
<b>Mounting / Installation</b>	
Material mounting parts	Stainless steel
Connection type	Screw terminals, 3-pin

## Technical Data

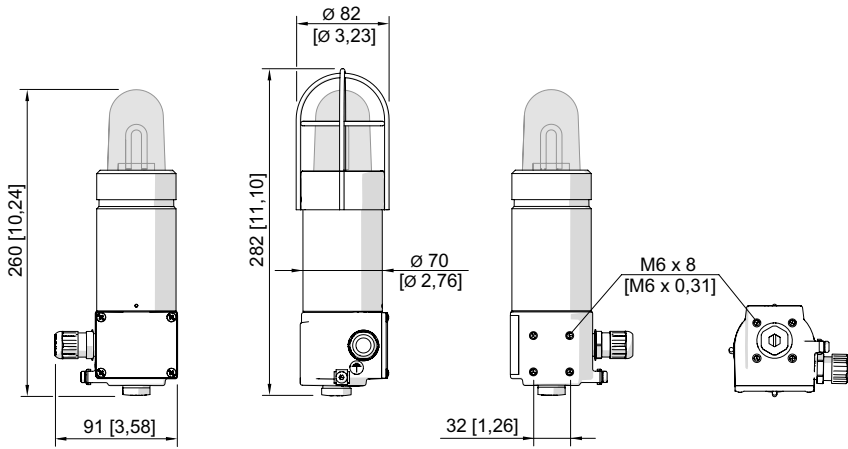
Components	
Drilled holes	2 x M20
Cable entries	1 x M20 Ø 4 – 13 mm
Material cable gland	Polyamide, black
Stopping plug	1 x M20 x 1.5
Stopping plug material	Polyamide, black

You can find more technical data online at [r-stahl.com](http://r-stahl.com). WebCode 6161A

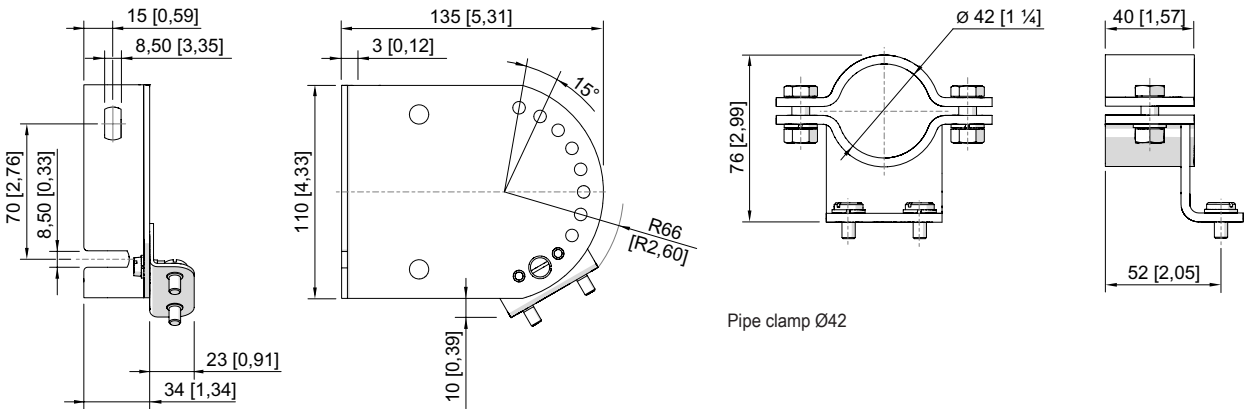
## Accessories

Figure	Description	Art. No.	Weight kg
<b>Mounting accessories</b>			
	Mounting plate for wall or floor mounting (stainless steel), incl. mounting screws (available for 6161)	120821	0.158
	Pipe clamp, R 1 1/4"	120812	0.500
	Pipe clamp, R 1 1/2"	120819	0.470
	Pipe clamp, R 2"	120823	0.500
	Mounting bracket for wall or floor mounting, stainless steel, incl. mounting screws (available for 6161)	120826 ▲	0.480
	Wire guard, stainless steel (available for 6161)	120818 ▲	0.260
<b>Stopping plug</b>			
	8290/3-M20, 1 piece	143522 ▲	0.005
	8290/3-M20, 100 pieces	143543 ▲	0.500
<b>Cable gland</b>			
	8161/7-M20-1304 4 ... 13 mm², 50 pieces (delivery lot*)	239156 ▲	0.013

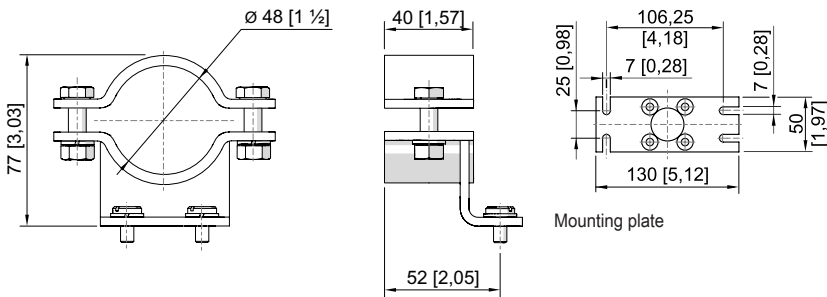
\* Purchase order quantity in [pieces], the delivery quantity is automatically rounded to the delivery lot.



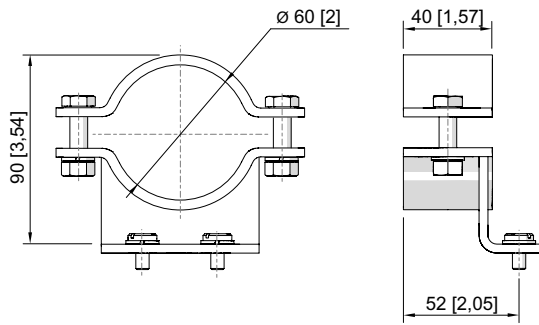
Optical beacon 6161



Ceiling and wall-mounting bracket



Pipe clamp Ø48



Pipe clamp  $\varnothing 60$